



Section: F Air Filtration

aerospace
climate control
electromechanical
filtration
fluid & gas handling
hydraulics
pneumatics
process control
sealing & shielding



ENGINEERING YOUR SUCCESS.

Table of Contents

AF Series	F1
AFUP Series HD Air Filters for under hood applications	F5
AFAP Series HD Off Highway Pre Cleaners	F8
AFCS Series HD Combination Pre Cleaners	F12
AFHP Series HD On Highway Pre Cleaners	F21
AFM Series Marine Air Filters	F25
AFSF Series HD Air Filters for on hwy and stationary applications	F30
Cabin Air Filters	F39
EA Series Replacement Air Filters	F40
EACP Series Air Composite PreCleaners	F41
EAF Series Composite HD Air Cleaner	F42
EAVLR Series Composite HD Air Cleaner - very low restriction	F44
ECO® Series Heavy Duty Air Cleaners	F46
ECO II Series Spin On Disposable Air Cleaners	F47
ECO II HC Series Spin On Disposable Air Cleaner - hi capacity	F51
ECO III Series Air Filtration System with Primary/Secondary	F52
ECOLITE Series Air Filter with choice of flow direction	F56
ECO BC Series Spin-On Disposable for Behind the Cab	F57
ECO CM Series Spin-On for Cowl Mount Installation	F58
ECO-LL Series Spin-On Disposable for Long Life	F60
ECO S2 Series Spin-On Disposable Air Cleaner	F63
ECO-SE Series Spin-On Disposable for Small Engine	F64
ECO SM Series Spin-On Disposable for Scheduled Maintenance	F65
Ember Separator	F67
Spinaire Series Metal Housing Pre Cleaner	F70
Tenkay Elements	F73
Pamic Series 2 stage Air Filtration System For Light and Medium Service	F74, F80
Autopamic Series 2 stage Air Filtration System For Medium and Heavy Service	F75
Rotopamic Series Air Filtration System Heavy Service Application	F77
Unipamic Series Single Stage Air Filtration System	F78
Dynacell Series Single Stage, Low Profile Air Cleaner	F86
Washable Filters	F94
Air Dryers	F99
Air Accessories	F101
Clamps	F102
Restriction Indicators.....	F105
Filter Monitor	F105
Fittings, Elbows and Adapters.....	F107
Part Number Index	F120

AF Series

Air Filtration Systems

- Mobile & Stationary Heavy-Duty Air Cleaners
- Combination Air Filters & Pre-Cleaners
- Pre-Cleaners & Separators
- Crankcase Ventilation Filtration Systems
- Marine Air Filter/Silencers
- Air Filter Elements
- Cabin Air Filters



AFSF4



AFCF051



AFAP083



AFUP006



AFHP31

F

AF Series

AFCF Series

Applications

Racor Combination Dynamic Pre-Cleaner /Air Filters are specifically designed to be connected to the air intake of gasoline and diesel engines. The advantages of the systems include their compact size and ease of installation. The three-stage air filtration systems are designed with only one connection to the engine.

Applications include:

- Agricultural machinery.
- Earth moving, construction & mining equipment.
- Stationary engines, generator sets.
- Trucks, pick-ups, off-road vehicles.
- Material handling equipment.
- Snow removal equipment & street sweepers.

Features and Benefits

- Pre-Cleaners remove up to 90% of impurities from intake air before the air enters the filter elements.
- Extends engine air filter life.
- Reduces down time.
- Prolongs engine and turbocharger life.
- Saves on fuel costs.
- Safety element is standard in most models.



AFCF Series Overview

Specifications	AFCS051	AFCS071	AFCS081	AFCS121
Air Flow	53-124 CFM (1.5-3.5 m ³ /min)	124-159 CFM (3.5-4.5 m ³ /min)	159-212 CFM (4.5-6.0 m ³ /min)	212-282 CFM (6.0-12.0 m ³ /min)
HP Range	30-70 HP (22-52 KW)	50-70 HP (37-52 KW)	70-80 HP (52-60 KW)	80-110 HP (60-82 KW)
Weight	8.6 lbs (3.9 kg)	10.4 lbs (4.7 kg)	12.7 lbs (5.8 kg)	16.5 lbs (7.6 kg)
Length	15.0 in. (38.2 cm)	18.9 in. (48.0 cm)	20.5 in. (52.0 cm)	22.2 in. (56.4 cm)
Width	7.4 in. (18.8 cm)	7.4 in. (18.8 cm)	8.0 in. (20.4 cm)	9.1 in. (23.0 cm)
Outlet Size	2.5 in. (6.3 cm)	2.5 in. (6.3 cm)	2.8 in. (7.0cm)	3.0 in. (7.6 cm)

Specifications	AFCS181	AFCS221	AFCS251	AFCS261
Air Flow	282-423 CFM (8.0-12.0 m ³ /min)	423-529 CFM (12.0-15.0 m ³ /min)	529-706 CFM (15.0-20.0 m ³ /min)	706-741 CFM (20.0-21.0 m ³ /min)
HP Range	110-150 HP (82-112 KW)	150-180 HP (112-135 KW)	180-240 HP (134-179 KW)	200-260 HP (149-194 KW)
Weight	20.3 lbs (9.2 kg)	24.2 lbs (11.0 kg)	30.0 lbs (13.6 kg)	31.9 lbs (14.5 kg)
Length	24.3 in. (61.6 cm)	25.5 in. (64.7 cm)	27.9 in. (70.8 cm)	30.7 in. (78.0 cm)
Width	10.0 in. (25.3 cm)	11.3 in. (28.8 cm)	13.3 in. (33.7 cm)	13.3 in. (33.7 cm)
Outlet Size	4.0 in. (10.2 cm)	4.0 in. (10.2 cm)	5.3 in. (13.3 cm)	5.1 in. (13.0 cm)

Element	AFCS051	AFCS071	AFCS081	AFCS121	AFCS181	AFCS221	AFCS251	AFCS261
Primary Element	AR6322	AR6060	AR6122	AR6144	AR6067	AR234401	AR6277	AR246501
Safety Element	-	AS6121	AS6123	AS6180	AS6159	AS6182	AS6316	AS6220

AFCF Series

Replacement Parts

<u>Part Number</u>	<u>Description</u>
1. N/A	Lid kit
2. N/A	Mounting Bracket
3. see replacement Pimary element for your unit.	
4. see replacement Safety element for your unit.	



AFUP Series

How they work

Racor Under-Hood Engine Air Pre-Cleaners can be remote-mounted or attached directly to the air cleaner eliminating the need for an external air intake.

- No exterior vehicle modification for intake air.
- High air flow, low differential design.

F



AFUP Series

AFUP Series Overview

Specifications	AFUP006	AFUP006E	AFUP007
Air Flow	53-141 CFM (1.5-4.0 m ³ /min)	53-141 CFM (1.5-4.0 m ³ /min)	141-176 CFM (4.0-5.0 m ³ /min)
HP Range	30-60 HP (22-45 KW)	30-60 HP (22-45 KW)	60-70 HP (45-52 KW)
Weight	1.8 lbs (0.8 kg)	2.4 lbs (1.0 kg)	2.9 lbs (1.3 kg)
Height	5.1 in. (13.0 cm)	5.7 in. (14.5 cm)	6.2 in. (15.7 cm)
Width	5.6 in. (14.2 cm)	5.6 in. (14.2 cm)	7.1 in. (18.0 cm)
Outlet Size	(I.D.) 2.5 in (6.3 cm)	(O.D.) 2.5 in (6.3 cm)	(I.D.) 3-2.8-2.5 in. (7.6-7.0-6.3 cm)

Specifications	AFUP007E	AFUP021	AFUP021E
Air Flow	141-176 CFM (4.0-5.0 m ³ /min)	176-282 CFM (5.0-8.0 m ³ /min)	176-282 CFM (5.0-8.0 m ³ /min)
HP Range	60-70 HP (45-52 KW)	70-100 HP (52-75 KW)	70-100 HP (52-75 KW)
Weight	3.1 lbs (1.4 kg)	3.5 lbs (1.6 kg)	4.1 lbs (1.9 kg)
Height	6.6 in. (16.8 cm)	5.8 in. (14.8 cm)	6.7 in. (17.0 cm)
Width	7.1 in. (18.0 cm)	7.9 in. (20.0 cm)	7.9 in. (20.0 cm)
Outlet Size	(O.D.) 3.0 in. (7.6 cm)	(I.D.) 3.3-3-2.8-2.5 in. (8.2-7.6-7.0-6.3 cm)	(O.D.) 3.3 in. (8.2 cm)

AFUP Series Overview

Specifications	AFUP041	AFUP041E	AFUP061
Air Flow	282-423 CFM (8.0-12.0 m ³ /min)	282-423 CFM (8.0-12.0 m ³ /min)	423-635 CFM (12.0-18.0 m ³ /min)
HP Range	100-140 HP (75-104 KW)	100-140 HP (75-104 KW)	140-200 HP (104-150 KW)
Weight	4.3 lbs (2.0 kg)	4.9 lbs (2.2 kg)	5.0 lbs (2.3 kg)
Height	7.3 in. (18.6 cm)	7.4 in. (18.7 cm)	7.4 in. (18.9 cm)
Width	9.0 in. (22.8 cm)	8.9 in. (22.8 cm)	9.5 in. (24.0 cm)
Outlet Size	(I.D.) 4-3.8-3.5-3.3 in. (10.2-9.5-8.9-8.2 cm)	(O.D.) 4.0 in. (10.2 cm)	(I.D.) 5.3-5-4.8-4.5 in. (13.3-12.7-12.1-11.4 cm)

F

Specifications	AFUP061E	AFUP091	AFUP091E	AFUP131
Air Flow	423-635 CFM (12.0-18.0 m ³ /min)	635-741 CFM (18.0-21.0 m ³ /min)	635-741 CFM (18.0-21.0 m ³ /min)	741-988 CFM (21.0-28.0 m ³ /min)
HP Range	140-200 HP (104-150 KW)	200-300 HP (149-224 KW)	200-300 HP (149-224 KW)	300-350 HP (224-261 KW)
Weight	5.7 lbs (2.6 kg)	6.6 lbs (3.0 kg)	7.7 lbs (3.5 kg)	7.3 lbs (3.3 kg)
Height	8.0 in. (20.2 cm)	8.0 in. (20.4 cm)	9.0 in. (22.3 cm)	10.1 in. (25.6 cm)
Width	9.5 in. (24.0 cm)	11.0 in. (28.0 cm)	11.0 in. (28.0 cm)	13.0 in. (33.1 cm)
Outlet Size	(O.D.) 5.3 in. (13.3 cm)	(I.D.) 4.5-5.3 in. (11.4-13.3 cm)	(O.D.) 5.3 in. (13.3 cm)	(I.D.) 5.0-6.0 in. (12.7-15.2 cm)

AFAP Series

Engine Air Pre-cleaners



Racor Engine Air Pre-cleaners are designed to be mounted on or connected to the air filter intake of a gasoline or diesel engine air cleaner. Their applications include all slow moving and industrial equipment such as agricultural machinery; earth moving, construction and mining equipment; pumping plants; generator sets; material handling equipment; snow removal equipment and street sweepers.

Removes up to 90% of impurities from intake air before the air enters the filter elements. Extends engine air filter life. Reduces down time. Prolongs engine and turbocharger life. Saves on fuel

costs. Easy to install. Three plastic outlet reduction sleeves are provided with each assembly.

A wide range of applications and flow rates. Steel housing, black powder coat. High air flow, low differential design. The pre-cleaner is self-powered and self-cleaning, requiring no electrical or exhaust gas power to dispose of separated particles. It requires virtually no maintenance and should be inspected occasionally to insure that no foreign material has plugged intake or exhaust port areas.



Applications

Racor Engine Air Precleaners are designed to be mounted on or connected to the air filter intake of a gasoline or diesel engine air cleaner. Their applications include all slow moving and industrial equipment such as agricultural machinery; earth moving, construction and mining equipment; pumping plants; generator sets; material handling equipment; snow removal equipment and street sweepers.

Product Features:

- Air flow rates between 53 and 1411 (CFM).
- Outlet size 2.5-7.0 in.
- Metal housing.
- Dynamic vane pre-cleaner.
- For agriculture & construction use.
- Removes up to 90% of impurities from intake air before the air enters the filter.



AFAP Series Overview



Specifications	AFAP083	AFAP183	AFAP184	AFAP400
Flow Rate CFM	53 to 124 CFM (1.5 to 3.5 m3/min)	530 to 776 CFM (15.0 to 22.0 m3/min)	530 to 776 CFM (15.0 to 22.0 m3/min)	776 to 1059 CFM (22.0 to 30.0 m3/min)
Horsepower	30 to 60 HP (22 to 45 KW)	220 to 300 HP (165 to 225 KW)	220 to 300 HP (165 to 225 KW)	300 to 400 HP (225 to 300 KW)
Height	7.7 in. (19.5 cm)	16.1 in. (41.0 cm)	15.9 in. (40.5 cm)	18.5 in. (47.0 cm)
Diameter	7.4 in. (18.8 cm)	13.9 in. (35.2 cm)	13.9 in. (35.2 cm)	16.6 in. (42.1 cm)
Outlet Size	3.0, 2.8, 2.5 in. (7.6-7.0-6.3 cm)	5.3, 5.0, 4.8, 4.5 in. (13.5, 12.7, 12.2, 11.4 cm)	6.0, 5.5, 5.3, 5.0 in. (15.2, 14.0, 13.3, 12.7 cm)	6.0, 5.5, 5.3, 5.0 in. (15.2, 14.0, 13.3, 12.7 cm)
Weight	3.4 lbs (1.55 kg)	12.70 lbs (5.75 kg)	12.80 lbs (5.80 kg)	16.50 lbs (7.50 kg)

F



Specifications	AFAP401	AFAP414	AFAP415	AFAP500
Flow Rate CFM	776 to 1059 CFM (22.0 to 30.0 m3/min)	124 to 247 CFM (3.5 to 7.0 m3/min)	124 to 247 CFM (3.5 to 7.0 m3/min)	530 to 776 CFM (15.0 to 22.0 m3/min)
Horsepower	300 to 400 HP (225 to 300 KW)	60 to 120 HP (45 to 90 KW)	60 to 120 HP (45 to 90 KW)	220 to 300 HP (165 to 225 KW)
Height	18.11 (460 mm)	12.8 in. (32.5 cm)	13.7 in. (34.8 cm)	16.14 (410 mm)
Diameter	16.57 (421 mm)	8.7 in. (22.1 cm)	8.7 in. (22.1 cm)	13.86 (352 mm)
Outlet Size	7.0, 6.8, 6.5, 6.3 in. (17.8, 17.1, 16.5, 15.9 cm)	3.3, 3.0, 2.8, 2.5 in. (8.2, 7.6, 7.0, 6.3 cm)	4.0, 3.8, 3.5, 3.3 in. (10.2, 9.5, 8.9, 8.2 cm)	5.3, 5.0, 4.8, 4.5 in. (13.3, 12.7, 12.1, 11.4 cm)
Weight	16.10 lbs (7.30 kg)	5.80 lbs (2.65 kg)	6.30 lbs (2.85 kg)	12.70 lbs (5.75 kg)

AFAP Series

AFAP Series Overview



Specifications	AFAP501	AFAP818	AFAP819	AFAP820
Flow Rate CFM	530 to 776 CFM (15.0 to 22.0 m3/min)	247 to 388 CFM (7.0 to 11.0 m3/min)	247 to 388 CFM (7.0 to 11.0 m3/min)	247 to 388 CFM (7.0 to 11.0 m3/min)
Horsepower	220 to 300 HP (165 to 225 KW)	120 to 160 HP (90 to 120 KW)	120 to 160 HP (90 to 120 KW)	120 to 160 HP (90 to 120 KW)
Height	16.14 (410 mm)	13.5 in. (34.2 cm)	13.98 (35.5 cm)	13.86 (35.2 cm)
Diameter	13.86 (352 mm)	10.7 in. (27.1 cm)	10.7 in. (27.1 cm)	10.7 in. (27.1 cm)
Outlet Size	5.3, 5.0, 4.8, 4.5 in. (13.3, 12.7, 12.1, 11.4 cm)	3.3, 3.0, 2.8, 2.5 in. (8.2, 7.6, 7.0, 6.3 cm)	4.0, 3.8, 3.5, 3.3 in. (10.2, 9.5, 8.9, 8.2 cm)	4.5, 4.3, 4.0, 3.8 in. (11.4, 11.0, 10.2, 9.5 cm)
Weight	12.70 lbs (5.75 kg)	7.7 lbs (3.50 kg)	7.8 lbs (3.55 kg)	8.2 lbs (3.70 kg)

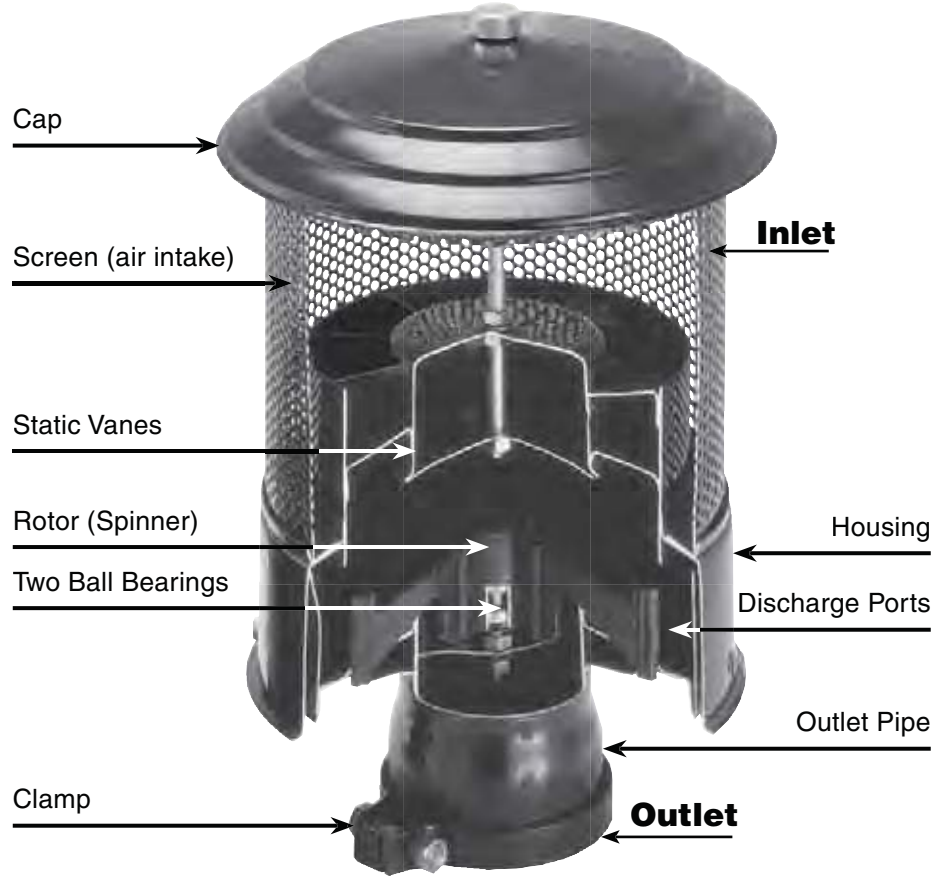
AFAP Series Overview



Specifications	AFAP919	AFAP920
Flow Rate CFM	388 to 530 CFM (11.0 to 15.0 m3/min)	388 to 530 CFM (11.0 to 15.0 m3/min)
Horsepower	160 to 220 HP (120 to 165 KW)	160 to 220 HP (120 to 165 KW)
Height	14.25 (36.2 cm)	14.60 (37.1 cm)
Diameter	12.4 in. (31.6 cm)	12.4 in. (31.6 cm)
Outlet Size	4.5, 4.3, 4.0, 3.8 in. (11.4, 11.0, 10.2, 9.5 cm)	5.3, 5.0, 4.8, 4.5 in. (13.3, 12.7, 12.1, 11.4 cm)
Weight	9.7 lbs (4.40 kg)	10.1 lbs (4.60 kg)

Notes:
 cfm = feet³ per minute
 cmm = meters³ per minute

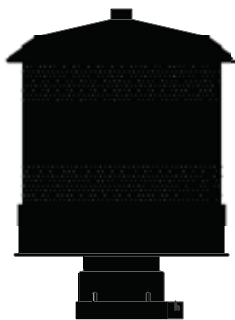
Part Description



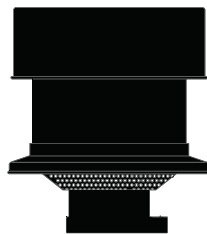
F

AFAP414 Cut View

Two Styles to Chose From



AFAP400



AFAP083

AFCS Series

Heavy-Duty Combination



Fresh air. That's what Racor air filtration is all about. Because when engines breathe easier they perform better - with more power, more torque and with improved fuel economy. The Racor lineup includes heavy-duty air cleaners and pre-cleaners, crankcase ventilation, marine filter/silencers, cabin air filters and replacement

filters. All are super high-efficiency, with engineered, application-specific media that improves performance as it extends service life.

Whatever your application, there's a Racor Air Filtration System that will help you and your engine breathe easy.



Applications

Combination Dynamic Pre-Cleaner/Air Filters are specifically designed to be connected to the air intake of gasoline and diesel engines. The advantages of the systems include their compact size and ease of installation.

Applications include:

- Agricultural machinery
- Earth moving, construction, and mining equipment
- Stationary engines, generator sets
- Trucks, off-road pick-ups
- Material handling equipment
- Snow removal equipment
- Street sweepers

Features and Benefits

- Pre-Cleaners remove up to 90% of impurities
- Reduces down time
- Prolongs engine, filter, and turbocharger life
- Saves on fuel costs
- Safety filter is standard in most models

AFCS Series Overview

Specifications	AFCS021	AFCS031	AFCS051	AFCS071
Maximum Flow Rate	88 cfm (2.5 cmm)	124 cfm (3.5 cmm)	124 cfm (3.5 cmm)	159 cfm (4.5 cmm)
Maximum Horsepower	50	70	70	70
Replacement Elements: (Primary)/(Safety)	E028	AR6322 / N/A	AR6322 / N/A	AR6060 / AS6121
Length	13.2 in (33.5 cm)	14.6 in. (37.0 cm)	15.0 in. (38.1 cm)	19.3 in. (49.0 cm)
Diameter	6.2 in. (15.7 cm)	6.7 in. (17.0 cm)	7.4 in. (18.8 cm)	7.4 in. (18.8 cm)
Weight	5.7 lb (2.6 kg)	7.3 lb (3.3 kg)	8.6 lb (3.9 kg)	10.4 lb (4.7 kg)
Inlet Diameter	1.6 in. (4.1 cm)	2.3 in. (5.8 cm)	2.5 in. (6.4 cm)	2.5 in. (6.4 cm)
Restriction Indicator	No	No	No	Yes

Specifications	AFCS081	AFCS121	AFCS181	AFCS221
Maximum Flow Rate	212 cfm (6.0 cmm)	282 cfm (8.0 cmm)	423 cfm (12.0 cmm)	529 cfm (15.0 cmm)
Maximum Horsepower	80	110	150	180
Replacement Elements: (Primary)/(Safety)	AR6122 / AS6123	AR6144 / AS6180	AR6067 / AS6159	AR234401/AS6182
Length	20.5 in (52.1 cm)	22.2 in. (56.4 cm)	24.3 in. (61.7 cm)	25.5 in. (64.8 cm)
Diameter	8.0 in. (20.3 cm)	9.1 in. (23.1 cm)	10.0 in. (25.4 cm)	11.3 in. (28.7 cm)
Weight	12.7 lb (5.7 kg)	16.5 lb (7.5 kg)	20.0 lb (9.1 kg)	24.2 lb (10.9 kg)
Inlet Diameter	2.8 in. (7.1 cm)	3.0 in. (7.6 cm)	4.0 in. (10.1 cm)	4.0 in. (10.1 cm)
Restriction Indicator	Yes	Yes	Yes	Yes

AFCS Series

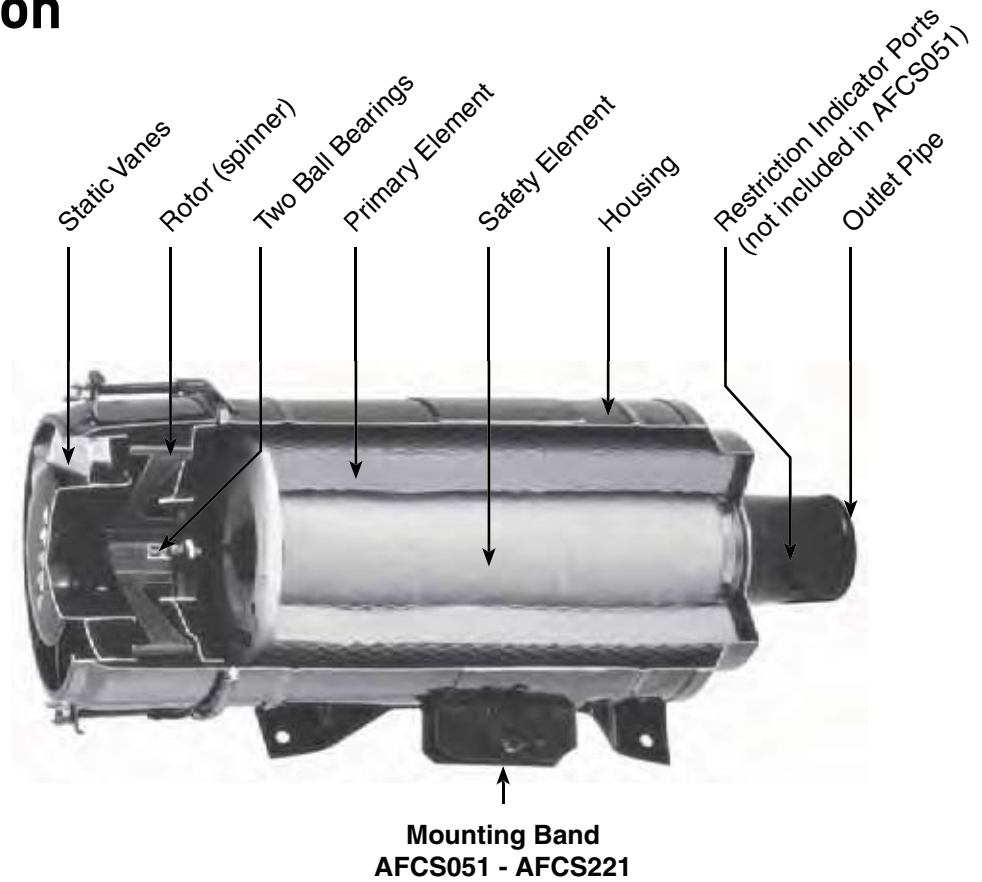
AFCS Series Overview

Specifications	AFCS251	AFCS261	AFCS311
Maximum Flow Rate	706 cfm (20.0 cmm)	741 cfm (21.0 cmm)	988 cfm (28.0 cmm)
Maximum Horsepower	240	260	320
Replacement Elements: (Primary)/(Safety)	AR6277 / AS6316	AR246501 / AS6220	AR6154 / AS6221
Length	28.1 in. (71.4 cm)	30.7 in. (77.9 cm)	30.5 in. (77.5 cm)
Diameter	13.3 in. (33.8 cm)	13.3 in. (33.8 cm)	14.5 in. (36.8 cm)
Weight	30.0 lb (13.6 kg)	31.9 lb (14.5 kg)	36.8 lb (16.7 kg)
Inlet Diameter	5.3 in. (13.5 cm)	5.1 in. (12.9 cm)	6.0 in. (15.2 cm)
Restriction Indicator	Yes	Yes	Yes

Specifications	AFCS351	AFCS431
Maximum Flow Rate	1235 cfm (35.0 cmm)	1517 cfm (43.0 cmm)
Maximum Horsepower	380	450
Replacement Elements: (Primary)/(Safety)	AR2201 / AS2207	AR6324 / AS6323
Length	30.5 in. (77.5 cm)	37.3 in. (94.7 cm)
Diameter	16.1 in. (41.0 cm)	18.4 in. (46.7 cm)
Weight	49.3 lb (22.4 kg)	65.2 lb (29.6 kg)
Inlet Diameter	6.0 in. (15.2 cm)	6.0 in. (15.2 cm)
Restriction Indicator	Yes	Yes

Notes:
 cfm = feet³ per minute
 cmm = meters³ per minute

Parts Description



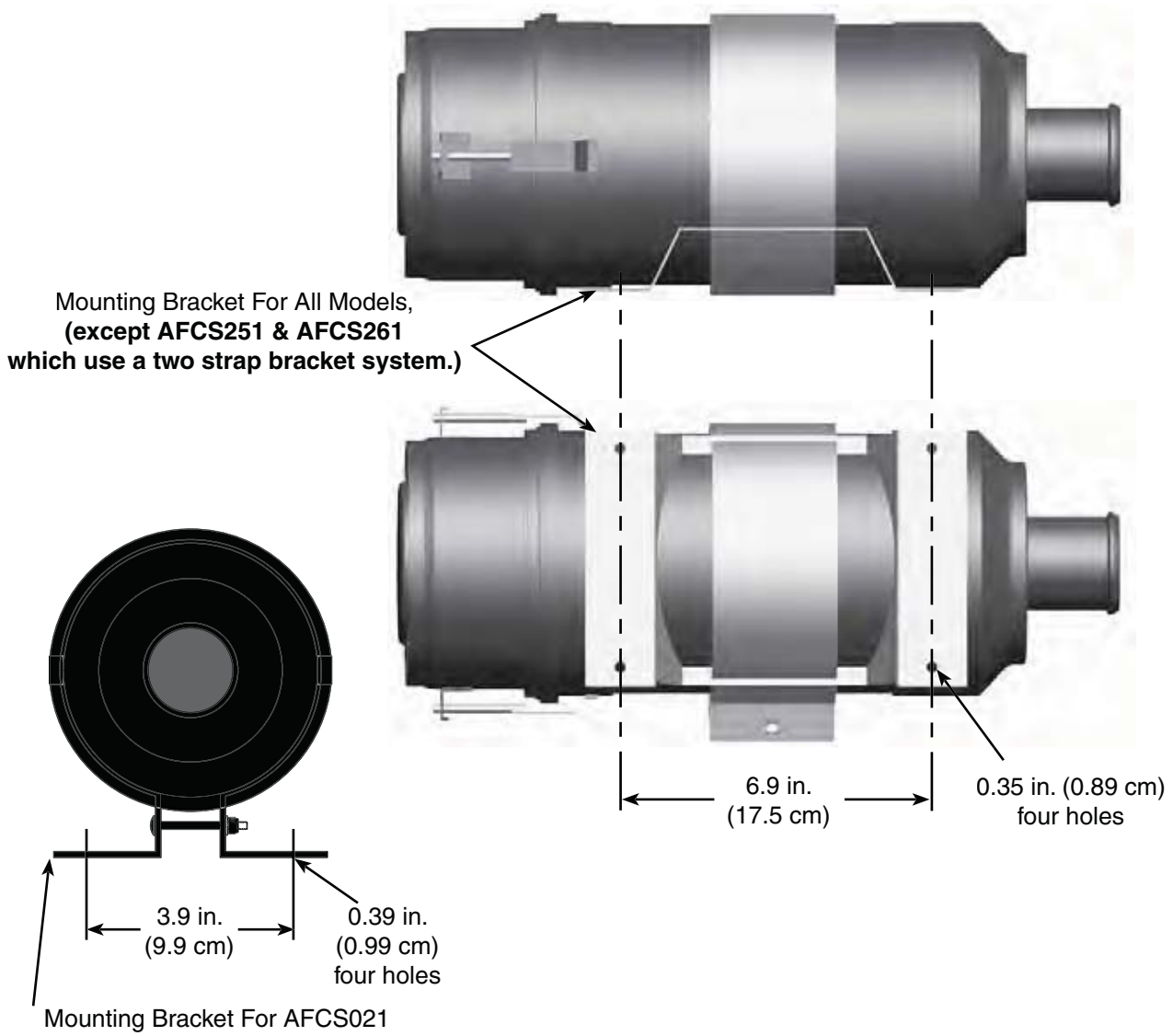
F

Pressure Drop at Maximum CFM (in. H₂O)

Assembly	With Safety Filter	Without Safety Filter
AFCS021	-	0.70
AFCS051	-	7.61
AFCS071	15.54	9.70
AFCS081	16.24	11.74
AFCS121	15.96	11.59
AFCS181	20.76	19.05
AFCS221	17.44	14.35
AFCS251	17.53	14.48
AFCS261	33.54	26.61
AFCS311	19.15	16.65
AFCS351	16.80	15.54
AFCS431	18.61	17.98

AFCS Series

Mounting Information



AFCS Primary Elements

Style 1

- Metal top and bottom end caps
- Interior and exterior screens
- Heavy-duty pleated paper
- Square-cut rubber gasket



F

Specifications	AR2201	AR6154
Length	18.0 in (45.7 cm)	18.1 in. (46.0 cm)
Diameter	13.8 in. (35.1 cm)	12.1 in. (30.7 cm)
Weight	11.6 lb (5.3 kg)	lb (kg)
Housing Part Number	AFCS351	AFCS311

Specifications	AR6277	AR6324	AR246501
Length	15.9 in (40.4 cm)	23.8 in. (60.5 cm)	19.2 in. (48.8 cm)
Diameter	10.4 in. (26.4 cm)	14.6 in. (37.1 cm)	9.5 in. (24.1 cm)
Weight	5.2 lb (2.4 kg)	11.0 lb (5.0 kg)	5.5 lb (2.5 kg)
Housing Part Number	AFCS251	AFCS431	AFCS261

AFCS Series

AFCS Primary Elements

Style 2

- Metal top and bottom end caps
- Interior and exterior screens
- Heavy-duty pleated paper
- Beveled rubber gasket



Specifications	AR6060	AR6067
Length	11.2 in (28.4 cm)	14.8 in. (37.6 cm)
Diameter	4.9 in. (12.4 cm)	7.8 in. (19.8 cm)
Weight	2.2 lb (1.0 kg)	2.8 lb (1.3 kg)
Housing Part Number	AFCS071	AFCS181

Specifications	AR6122	AR6144	AR6322	AR234401
Length	12.3 in. (31.2 cm)	13.3 in (33.8 cm)	8.3 in. (21.8 cm)	14.5 in. (36.8 cm)
Diameter	5.9 in. (15.0 cm)	6.5 in. (16.5 cm)	4.9 in. (12.4 cm)	8.9 in. (22.6 cm)
Weight	2.6 lb (1.2 kg)	3.5 lb (1.6 kg)	1.5 lb (0.7 kg)	4.4 lb (2.0 kg)
Housing Part Number	AFCS081	AFCS121	AFCS051	AFCS221

AFCS Safety Elements

Style 1

- Metal top and bottom end caps
- Interior perforated tube
- Covered with a soft filtering media
- Square-cut & beveled rubber gaskets



F

Specifications	AS2207	AS6121
Length	22.0 in (55.8 cm)	18.1 in. (46.0 cm)
Diameter	10.2 in. (25.9 cm)	12.1 in. (30.7 cm)
Weight	3.3 lb (1.5 kg)	0.8 lb (0.4 kg)
Housing Part Number	AFCS351	AFCS071

Specifications	AS6123	AS6159	AS6180
Length	12.9 in (32.8 cm)	14.8 in. (37.6 cm)	13.6 in. (34.5 cm)
Diameter	2.7 in. (6.8 cm)	3.9 in. (9.9 cm)	3.3 in. (8.4 cm)
Weight	1.3 lb (0.6 kg)	1.5 lb (0.7 kg)	1.3 lb (0.6 kg)
Housing Part Number	AFCS081	AFCS181	AFCS121

AFCS Series

AFCS Safety Elements

Style 2

- Metal top and bottom end caps
- Interior and exterior screens
- Heavy-duty pleated paper
- Square-cut & beveled rubber gaskets



Specifications	AS6182	AS6220
Length	15.0 in (38.1 cm)	18.8 in. (47.8 cm)
Diameter	4.4 in. (11.2 cm)	5.0 in. (12.7 cm)
Weight	1.7 lb (0.8 kg)	2.2 lb (1.0 kg)
Housing Part Number	AFCS221	AFCS261

Specifications	AS6221	AS6316	AS6320	AS6323
Length	17.6 in. (44.7 cm)	14.9 in (37.8 cm)	15.2 in. (36.6 cm)	22.0 in. (55.9 cm)
Diameter	7.2 in. (18.3 cm)	5.5 in. (13.9 cm)	5.6 in. (14.2 cm)	10.2 in. (25.9 cm)
Weight	2.4 lb (1.1 kg)	1.7 lb (0.8 kg)	1.5 lb (0.7 kg)	3.3 lb (1.5 kg)
Housing Part Number	AFCS311	AFCS251	-	AFCS431

On Highway Precleaner

- Air flow rates between 35 and 1411 cubic feet per minute (CFM).
- Outlet 2.0-8.0 in. (5.0-20.3 cm).
- Metal housing.
- Dynamic vane pre-cleaner.
- For agriculture & construction use.



F

Applications

Racor Engine Air Precleaners are designed to be mounted on or connected to the air filter intake of a gasoline or diesel engine air cleaner. Their applications include all fast moving mobile equipment such as trucks, buses and recreational vehicles.

AFHP Series Precleaners consist of a steel housing with static vanes and a rust-proof rotor mounted on dual ball bearings. The perforated metal pre-screen at the inlet is standard. The

outlet tube can be adapted with the supplied reducing sleeves for a variety of outlet choices. Racor Engine Air Precleaners are powder coated for a durable, corrosion-resistant finish.

How They Work

Racor Engine Air Precleaners are usually installed in place of the rain cap, dust bowl, or aspirated pre-cleaner (exhaust system). In some applications, they can be mounted directly to the air cleaner. Air enters the system through a pre-screen that removes large debris. It then flows

through static vanes causing the air to spin. As the air spins, centrifugal force separates dust, dirt, insects, rain and snow from the air stream.

The swirling air drives a high velocity rotor that acts as a blower evacuating contaminants through special discharge ports in the side of the unit. Only purified air flows to the air filter elements. Complete specifications are provided on the reverse of this page.

AFHP Series

AFHP Series Overview

Specifications	AFHP21	AFHP31	AFHP41
Airflow Range CFM	35 to 53 CFM (1.0 to 1.5 m ³ /min)	53 to 124 CFM (1.5 to 3.5 m ³ /min)	124 to 247 CFM (3.5 to 7.0 m ³ /min)
Horsepower Range	30 HP (22 KW)	30 to 60 HP (22 to 45 KW)	60 to 120 HP (45 to 90 KW)
Height	4.0 in. (10.2 cm)	6.1 in. (15.5 cm)	7.0 in. (17.8 cm)
Diameter	5.2 in. (13.2 cm)	7.0 in. (17.8 cm)	8.5 in. (21.6 cm)
Outlet Size	2.0 in. (5.0 cm)	2.5-3.0 in. (6.3-7.6 cm)	2.5-3.2 in. (6.3-8.1 cm)
Weight	1.3 lbs (0.6 kg)	2.4 lbs (1.1 kg)	3.4 lbs (1.5 kg)

Specifications	AFHP42	AFHP81	AFHP82
Airflow Range CFM	124 to 247 CFM (3.5 to 7.0 m ³ /min)	247 to 388 CFM (7.0 to 11.0 m ³ /min)	247 to 388 CFM (7.0 to 11.0 m ³ /min)
Horsepower Range	60 to 120 HP (45 to 90 KW)	120 to 160 HP (90 to 120 KW)	120 to 160 HP (90 to 120 KW)
Height	7.0 in. (17.8 cm)	7.8 in. (19.8 cm)	7.8 in. (19.8 cm)
Diameter	8.5 in. (21.6 cm)	9.6 in.(24.4 cm)	9.6 in.(24.4 cm)
Outlet Size	4-3.8-3.5-3.3 (10.2-9.5-8.9-8.2 cm)	3.0-3-2.8-2.5 in. (8.2-7.6-7.0-6.3 cm)	4-3.8-3.5-3.3 in. (10.2-9.5-8.9-8.2 cm)
Weight	3.5 lbs (1.6 kg)	4.2 lbs (1.9 kg)	4.3 lbs (2.0 kg)

Specifications	AFHP83	AFHP91	AFHP92
Airflow Range CFM	247 to 388 CFM (7.0 to 11.0 m ³ /min)	388 to 530 CFM (11.0 to 15.0 m ³ /min)	388 to 530 CFM (11.0 to 15.0 m ³ /min)
Horsepower Range	120 to 160 HP (90 to 120 KW)	160 to 220 HP (120 to 165 KW)	220 to 300 HP (165 to 225 KW)
Height	7.8 in. (19.8 cm)	8.2 in. (20.8 cm)	8.2 in. (20.8 cm)
Diameter	9.6 in.(24.4 cm)	11.0 in. (27.9 cm)	11.0 in. (27.9 cm)
Outlet Size	4-3.8-3.5-3.3 in. (10.2-9.5-8.9-8.2 cm)	4.5-4.3-4-3.8 in. (11.4-10.9-10.2-9.7 cm)	5.3-5-4.8-4.5 in. (13.5-12.7-12.2-11.4 cm)
Weight	4.4 lbs (2.0 kg)	5.2 lbs (2.4 kg)	5.5 lbs (2.5 kg)

AFHP Series Overview

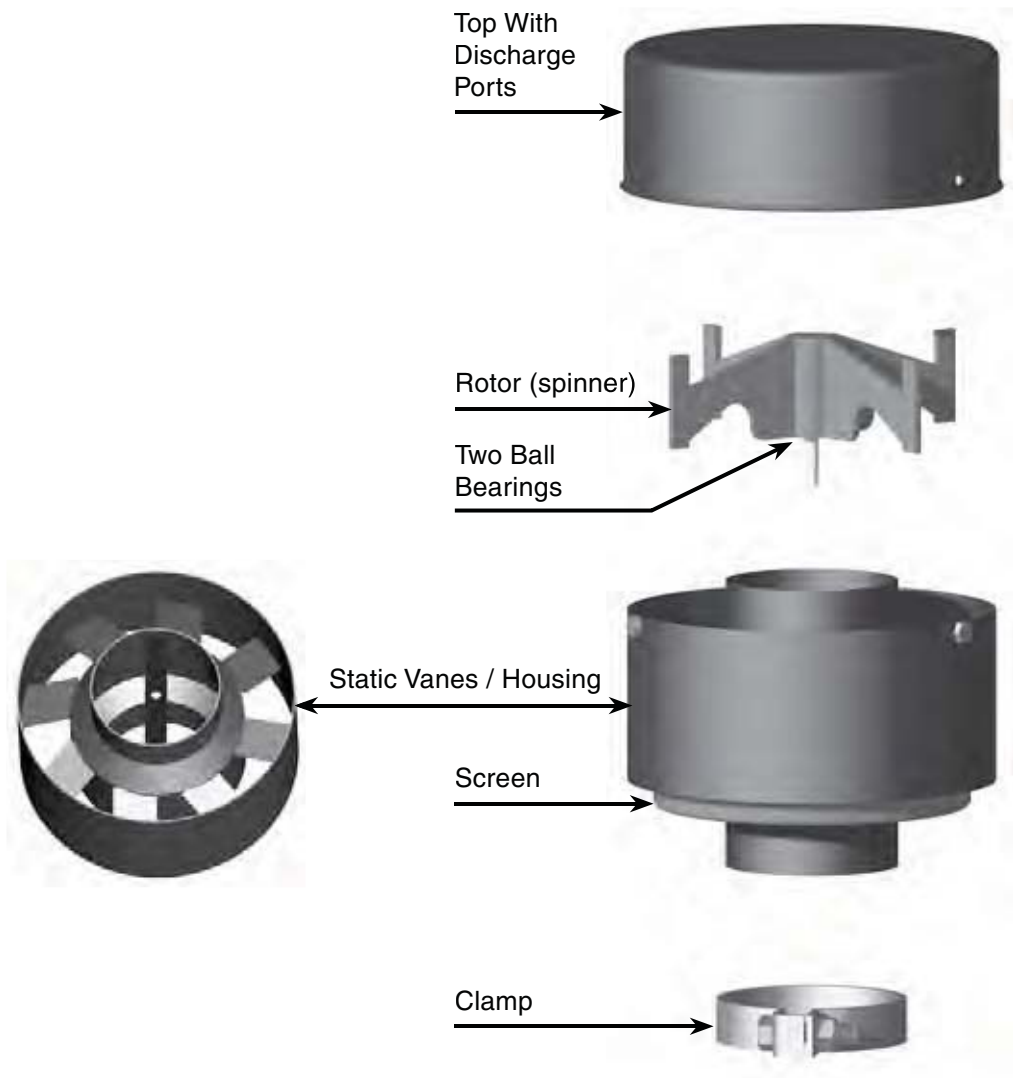
Specifications	AFHP111	AFHP112	AFHP211
Airflow Range CFM	530 to 776 CFM (15.0 to 22.0 m ³ /min)	530 to 776 CFM (15.0 to 22.0 m ³ /min)	776 to 1059 CFM (21.0 to 30.0 m ³ /min)
Horsepower Range	220 to 300 HP (165 to 225 KW)	220 to 300 HP (165 to 225 KW)	300 to 400 HP (225 to 300 KW)
Height	7.9 in. (20.1 cm)	7.9 in. (20.1 cm)	9.1 in. (23.1 cm)
Diameter	12.2 in. (31.0 cm)	12.2 in. (31.0 cm)	14.2 in. (36.1 cm)
Outlet Size	5.3-5-4.8-4.5 in. (13.5-12.7-12.2-11.4 cm)	6-5.5-5.3-5 in. (15.2-14.0-12.7 cm)	6-5.5-5.3-5 in. (15.2-14.0-12.7 cm)
Weight	6.5 lbs (2.9 kg)	6.6 lbs (3.0 kg)	8.4 lbs (3.8 kg)

Specifications	AFHP212	AFHP411	AFHP412
Airflow Range CFM	776 to 1059 CFM (21.0 to 30.0 m ³ /min)	1059 to 1411 CFM (30.0 to 40.0 m ³ /min)	1059 to 1411 CFM (30.0 to 40.0 m ³ /min)
Horsepower Range	300 to 400 HP (225 to 300 KW)	400 to 550 HP (300 to 410 KW)	400 to 550 HP (300 to 410 KW)
Height	9.1 in. (23.1 cm)	10.4 in. (26.4 cm)	10.4 in. (26.4 cm)
Diameter	14.2 in. (36.1 cm)	17.1 in. (43.4 cm)	17.1 in. (43.4 cm)
Outlet Size	7-6.8-6.5-6.2 in. (17.8-17.3-16.5-15.7 cm)	7-6.8-6.5-6.2 in. (17.8-17.3-16.5-15.7 cm)	8.0 in. (20.3 cm)
Weight	8.8 lbs (4.0 kg)	12.0 lbs (5.4 kg)	12.4 (5.6 kg)

Notes: cfm = feet³ per minute
cmm = meters³ per minute

AFHP Series

Part Description



Marine Air Filters

- Air flow rates between 800 and 1600 cubic feet per minute (CFM).
- Washable reusable Element.
- Restriction indicator port.
- CCV port.

How They Work

The Racor marine air filter/silencer removes contaminants introduced into the air from both outside and inside the vessel. Sand, salt, carpet fibers and other contaminants are trapped in the oil-impregnated filter media. Turbo noise is reduced by the unique design of the air filter/silencer housing. An integral hose connection on the housing routes the clean blow-by from the CCV back into the engine.

Application

In order to determine the correct marine air filter application, you will need to know the marine air filter rating (AFR). You will need to provide the hose connection to turbo. Choose the correct marine air filter application per the following guideline: Verify that the marine air filter dimensions will fit into your engine room.



F

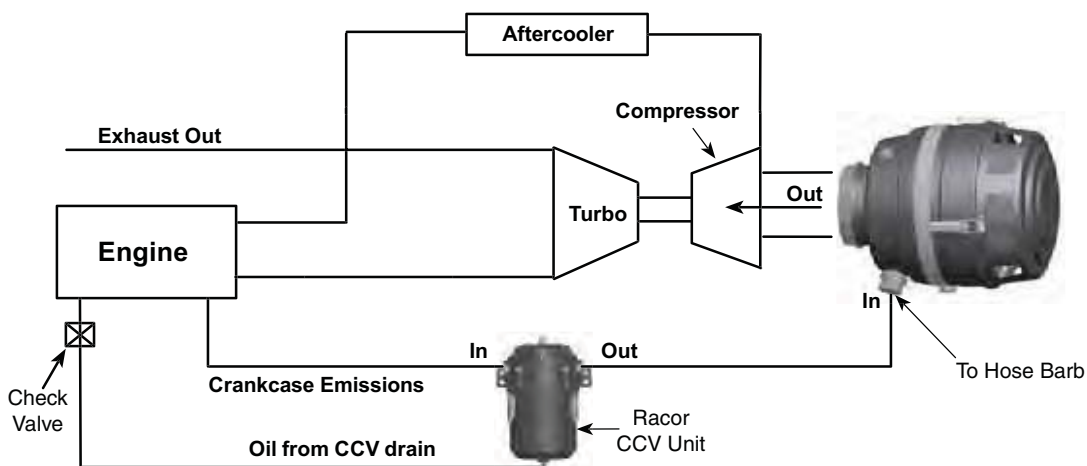
AFM Series

AFM Series Overview

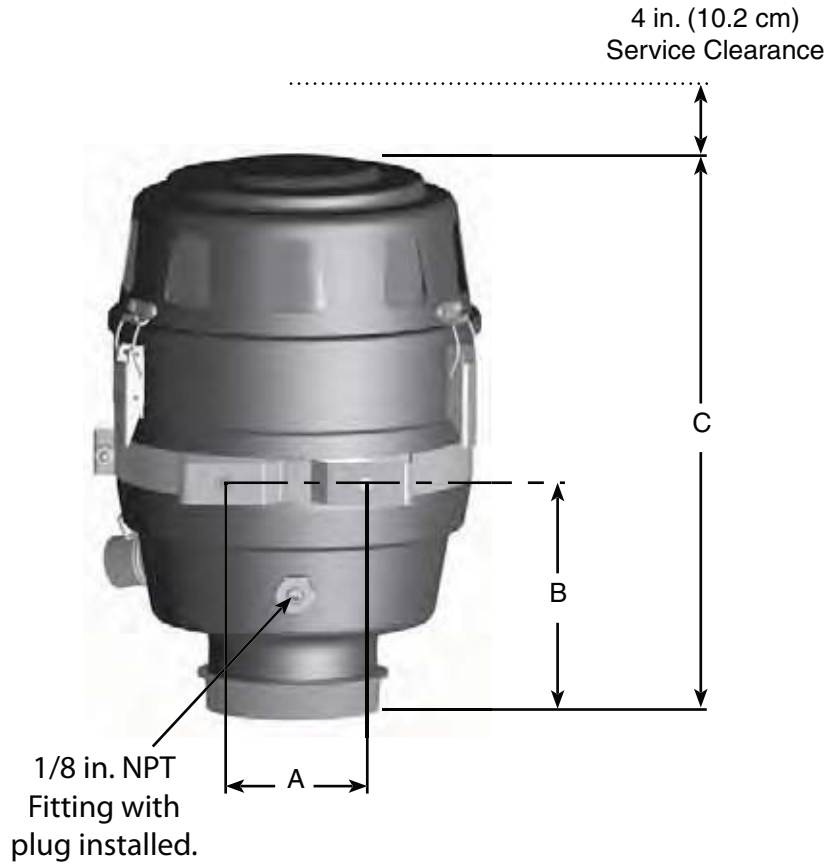


Specifications	AF M408512	AF M501012	AF M601212
Flow Rate CFM	800 cfm (22.7 cmm)	1200 cfm (34.0 cmm)	1600 cfm (45.3 cmm)
Replacement Element	AF M8040	AF M8050	AF M8060
Height	12.5 in. (31.8 cm)	12.5 in. (31.8 cm)	12.5 in. (31.8 cm)
Depth	9.6 in. (24.4 cm)	11.5 in. (29.2 cm)	13.5 in. (34.3 cm)
Outlet Size	4 in. (10.1 cm)	5 in. (12.7 cm)	6 in. (15.2 cm)
Hose Barb (inlet)	1.0 in. (2.5 cm)	1.3 in. (3.3 cm)	1.3 in. (3.3 cm)
Weight	4.1 lbs (1.9 kg)	5.0 lbs (2.3 kg)	8.0 lbs (3.6 kg)

Installation Diagram



Mounting Information



F

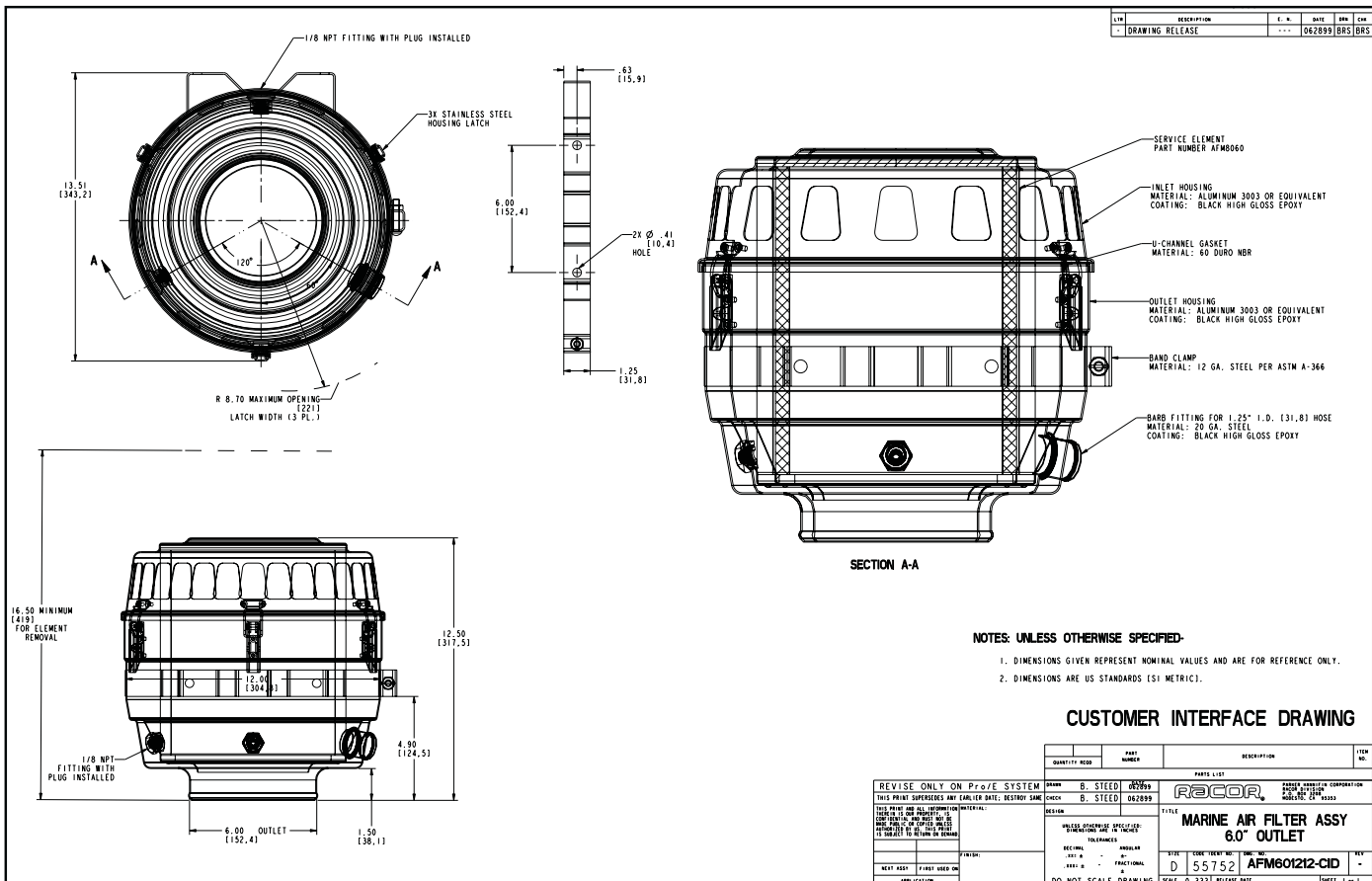
A
AF M408512: 3.4 in. (8.6 cm)
AF M501012: 3.4 in. (8.6 cm)
AF M601212: 6.0 in. (15.2 cm)

B
AF M408512: 5.0 in. (12.7 cm)
AF M501012: 5.0 in. (12.7 cm)
AF M601212: 4.9 in. (12.4 cm)

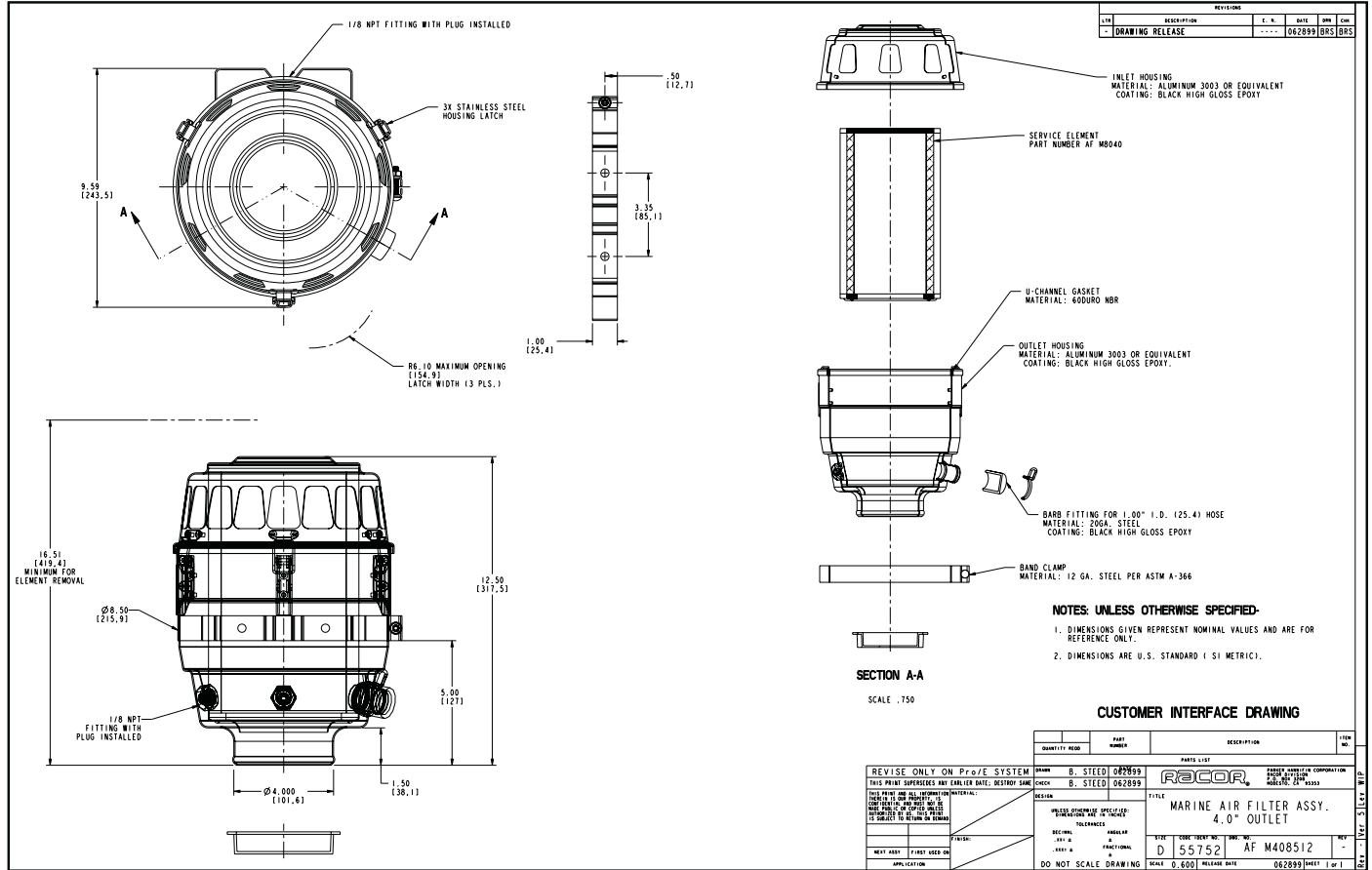
C
AF M408512: 12.5 in. (31.8 cm)
AF M501012: 12.5 in. (31.8 cm)
AF M601212: 12.5 in. (31.8 cm)

AFM Series

Customer Interface Drawing



Customer Interface Drawing



AFSF Series

Heavy-Duty Standard Air Filters

for On-Highway, Off-Highway and Stationary

Applications

Racor AFSF Standard Air Filters are designed to be connected to the air intake of the gasoline or diesel engine.

How They Work

Air flows through static vanes (plastic or metal) which causes the air to spin. Centrifugal force separates the heaviest impurities (dust, dirt, insects and other debris) from the air stream. These contaminants are discharged automatically through an integral evacuator valve. Only purified air flows to the air filter elements (primary and safety stages of filtration).

Typical Applications:

- Agricultural Machinery
- Earth-Moving Equipment.
- Stationary Engines; Generator Sets.
- Trucks, Buses and Recreational Vehicles.
- Material Handling Equipment.
- Snow Removal Equipment and Street Sweepers



AFSF Series Overview

	AFSF4	AFSF6	AFSF8	AFSF12
Maximum Flow Rate	159 cfm (4.5 cmm)	212 cfm (6.0 cmm)	282 cfm (8.0 cmm)	423 cfm (12 cmm)
Maximum Horsepower	80	90	120	160
Replacement Elements: (Primary)/(Safety)	AR6060/AS6121	AR6122/AS6123	AR6144/AS6180	AR6067/AS6159
Length	15.2 in (38.6 cm)	16.7 in. (42.4 cm)	17.5 in. (44.5 cm)	18.8 in. (47.8 cm)
Diameter	6.6 in. (16.8 cm)	7.8 in. (19.8 cm)	8.5 in. (21.6 cm)	10.0 in. (25.4 cm)
Weight	8.4 lb (3.8 kg)	10.8 lb (4.9 kg)	11.7 lb (5.3 kg)	16.5 lb (7.5 kg)
Inlet Diameter	2.5 in. (6.4 cm)	3.0 in. (7.6 cm)	3.0 in. (7.6 cm)	4.0 in. (10.2 cm)
Outlet Diameter	2.5 in. (6.4 cm)	2.75 in. (7.0 cm)	3.0 in. (7.6 cm)	4.0 in. (10.2 cm)

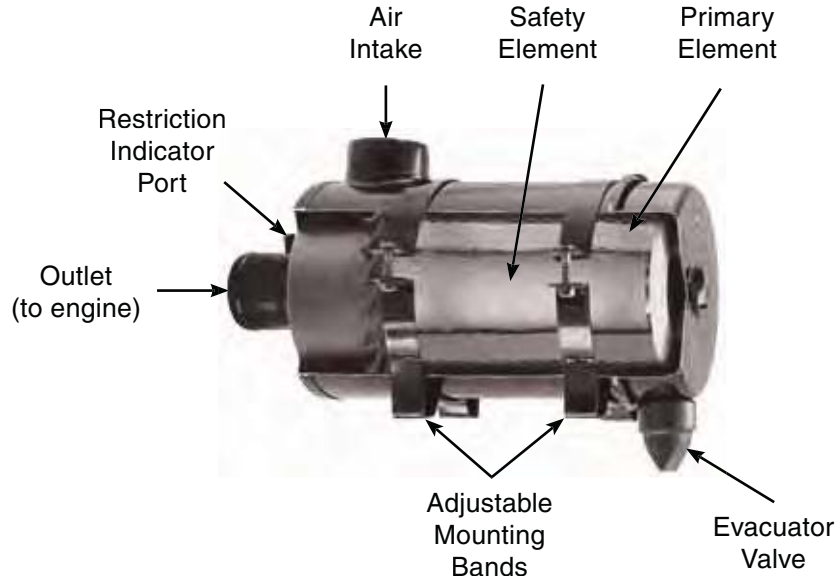
Specifications	AFSF15	AFSF18	AFSF20	AFSF21
Maximum Flow Rate	529 cfm (15.0 cmm)	635 cfm (18.0 cmm)	706 cfm (20.0 cmm)	741 cfm (21.0 cmm)
Maximum Horsepower	180	210	250	280
Replacement Elements: (Primary)/(Safety)	AR234401/AS6182	AR6321/AS6320	AR6277/AS6316	AR246501/AS6220
Length	19.3 in (49.0 cm)	22.0 in. (55.9 cm)	21.3 in. (54.1 cm)	24.1 in. (61.2 cm)
Diameter	10.5 in. (26.7 cm)	11.4 in. (29.0 cm)	12.6 in. (32.0 cm)	12.6 in. (32.0 cm)
Weight	21.9 lb (9.9 kg)	27.6 lb (12.5 kg)	31.1 lb (14.1 kg)	33.9 lb (15.4 kg)
Inlet Diameter	4.0 in. (10.2 cm)	4.5 in. (11.4 cm)	5.3 in. (13.5 cm)	5.3 in. (13.5 cm)
Outlet Diameter	4.0 in. (10.2 cm)	4.0 in. (10.2 cm)	5.3 in. (13.5 cm)	5.1 in. (13.0 cm)

Specifications	AFSF310	AFSF350	AFSF430
Maximum Flow Rate	988 cfm (28.0 cmm)	1235 cfm (35.0 cmm)	1517 cfm (43.0 cmm)
Maximum Horsepower	320	380	450
Replacement Elements: (Primary)/(Safety)	AR6154/AS6221	AR2201/AS2207	AR6324/AS6323
Length	23.5 in (59.7 cm)	24.8 in. (63.0 cm)	28.9 in. (73.4 cm)
Diameter	15.4 in. (39.1 cm)	17.4 in. (44.2 cm)	18.0 in. (45.7 cm)
Weight	40.0 lb (18.1 kg)	46.3 lb (21.0 kg)	78.7 lb (35.7 kg)
Inlet Diameter	6.0 in. (15.2 cm)	6.0 in. (15.2 cm)	6.0 in. (15.2 cm)
Outlet Diameter	6.0 in. (15.2 cm)	6.0 in. (15.2 cm)	6.0 in. (15.2 cm)

Notes:
 cfm = feet³ per minute
 cmm = meters³ per minute

AFSF Series

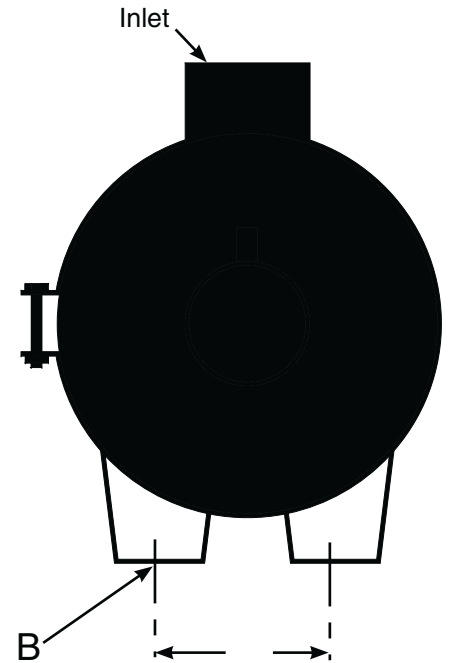
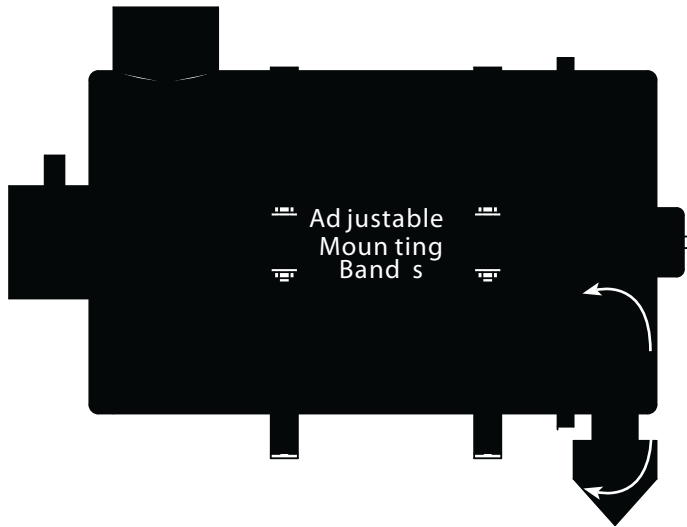
Parts Description



Pressure Drop at Maximum CFM (in. H₂O)

Assembly	With Safety Filter	Without Safety Filter
AFSF4	18.07	12.16
AFSF6	14.80	10.68
AFSF8	17.79	14.04
AFSF12	15.19	12.47
AFSF15	17.37	15.26
AFSF18	15.77	14.98
AFSF20	11.67	9.11
AFSF21	11.43	8.53
AFSF310	13.40	9.67
AFSF350	13.83	12.95
AFSF430	18.52	17.84

Mounting Information



AFSF Unit	A	B
AFSF 4	4.7 in. (11.9 cm)	.31 in. (.79 cm)
AFSF 6	4.7 in. (11.9 cm)	.31 in. (.79 cm)
AFSF 8	4.7 in. (11.9 cm)	.31 in. (.79 cm)
AFSF 12	4.7 in. (11.9 cm)	.31 in. (.79 cm)
AFSF 15	5.5 in. (14.0 cm)	.39 in. (.99 cm)
AFSF 18	5.5 in. (14.0 cm)	.39 in. (.99 cm)
AFSF 20	5.5 in. (14.0 cm)	.39 in. (.99 cm)
AFSF 21	5.5 in. (14.0 cm)	.39 in. (.99 cm)
AFSF 310	7.9 in. (20.1 cm)	.39 in. (.99 cm)
AFSF 350	7.9 in. (20.1 cm)	.39 in. (.99 cm)
AFSF 430	7.9 in. (20.1 cm)	.39 in. (.99 cm)

AFSF Series

Customer Interface Drawing

REV	DESCRIPTION	APP	DATE	BY	CHK
1	DRAWING RELEASE	---	12/4/01	SC	PH
A	1) ADDED SAFETY AIR FILTERS TO THE DRAWING 2) ADDED DIMENSIONS FOR L1, L2, L3 3) ADDED PRIMARY SAFETY AIR FILTERS TO THE DRAWING 4) REDRAWN ON PRO-E WITH NO CHANGES	---	07/30/02	RH	CS
1	REDRAWN ON PRO-E WITH NO CHANGES	---	01/10/05	MV	CS

RACOR PN	RATED CFM	MAX HP	HEIGHT (LBS)	L1 (IN)	L2 (IN)	L3 (IN)	L4 (IN)	A (IN)	B (IN)	C (IN)	D (IN)	RACOR PRIMARY SAFETY AIR FILTER (NO. S)
AFS94	<150	<80	8.40	19.75	3.06	4.72	1.18	31.01	2.50	6.37	2.00	AR6050/AS6121
AFS95	<212	<90	10.79	16.73	4.49	4.72	1.18	31.01	2.75	7.00	2.00	AR6122/AS6123
AFS98	<282	<120	11.70	17.52	4.96	4.72	1.18	31.01	3.00	7.50	2.00	AR6144/AS6190
AFS912	<423	<160	16.50	18.82	5.75	4.72	1.18	31.01	4.00	9.00	4.00	AR6057/AS6159
AFS915	<529	<180	21.92	19.29	5.75	5.51	1.38	39.04	4.00	10.51	4.00	AR6340/AS6182
AFS918	<635	<210	27.55	21.97	6.34	5.51	1.38	39.04	4.00	11.42	4.50	AR6271/AS6203
AFS920	<706	<250	31.06	21.26	6.89	5.51	1.38	39.04	4.00	12.56	5.25	AR6277/AS6216
AFS921	<741	<280	33.90	24.13	6.89	5.51	1.42	39.04	4.00	12.56	5.25	AR6450/AS6220
AFS910	<988	<320	40.00	23.46	8.66	7.87	1.38	39.04	4.00	15.43	4.00	AR6154/AS6221
AFS910	<1235	<380	46.25	24.84	10.16	7.87	1.38	39.04	4.00	17.40	4.00	AR6201/AS6207
AFS940	<1517	<450	78.65	28.86	10.55	7.09	2.99	39.04	4.00	17.99	4.00	AR6324/AS6223

CUSTOMER APPROVAL REQUIRED

THIS DOCUMENT MUST BE REVIEWED FOR CONFORMANCE, SIGNED, DATED AND RETURNED TO RACOR PROMPTLY.

SIGNATURE _____ DATE _____

CUSTOMER INTERFACE DRAWING

DESIGNED BY: S. CABILL	DATE: 12/20/01	REVISED BY: RE HAMILTON	DATE: 12/14/01
RACOR			
HEAVY-DUTY STANDARD ENGINE AIR FILTERS			
REVISED BY: NONE	DATE: NONE	REVISED BY: NONE	DATE: NONE

AFSF Primary Elements

Style 1

- Metal top and bottom end caps
- Interior and exterior screens
- Heavy-duty pleated paper
- Square-cut rubber gasket



F

Specifications	AR2201	AR6154
Length	18.0 in (45.7 cm)	18.1 in. (46.0 cm)
Diameter	13.8 in. (35.1 cm)	12.1 in. (30.7 cm)
Weight	11.6 lb (5.3 kg)	N/A
Housing Part Number	AFSF350	AFSF310

	AR6277	AR6324	AR246501
Length	15.9 in (40.4 cm)	23.8 in. (60.5 cm)	19.2 in. (48.8 cm)
Diameter	10.4 in. (26.4 cm)	14.6 in. (37.1 cm)	9.5 in. (24.1 cm)
Weight	N/A	N/A	N/A)
Housing Part Number	AFSF20	AFSF430	AFSF21

AFSF Series

AFSF Primary Elements

Style 2

- Metal top and bottom end caps
- Interior and exterior screens
- Heavy-duty pleated paper
- Beveled rubber gasket



Specifications	AR6060	AR6067
Length	11.2 in (28.4 cm)	14.8 in. (37.6 cm)
Diameter	4.9 in. (12.4 cm)	7.8 in. (19.8 cm)
Weight	N/A	N/A
Housing Part Number	AFSF4	AFSF12

Specifications	AR6122	AR6144	AR6321	AR234401
Length	12.3 in. (31.2 cm)	13.3 in (33.8 cm)	16.9 in. (42.9 cm)	14.5 in. (36.8 cm)
Diameter	5.9 in. (15.0 cm)	6.5 in. (16.5 cm)	9.3 in. (23.6 cm)	8.9 in. (22.6 cm)
Weight	N/A	N/A	N/A	N/A)
Housing Part Number	AFSF6	AFSF8	AFSF18	AFSF15

AFSF Safety Elements

Style 1

- Metal top and bottom end caps
- Interior perforated tube
- Covered with a soft filtering media
- Square-cut & beveled rubber gaskets



F

Specifications	AS2207	AS6121
Length	22.0 in (55.8 cm)	18.1 in. (46.0 cm)
Diameter	10.2 in. (25.9 cm)	12.1 in. (30.7 cm)
Weight	3.3 lb (1.5 kg)	0.8 lb (0.4 kg)
Housing Part Number	AFSF350	AFSF4

Specifications	AS6123	AS6159	AS6180
Length	12.9 in (32.8 cm)	14.8 in. (37.6 cm)	13.6 in. (34.5 cm)
Diameter	2.7 in. (6.8 cm)	3.9 in. (9.9 cm)	3.3 in. (8.4 cm)
Weight	1.3 lb (0.6 kg)	1.5 lb (0.7 kg)	1.3 lb (0.6 kg)
Housing Part Number	AFSF6	AFSF12	AFSF8

AFSF Series

AFSF Safety Elements

Style 2

- Metal top and bottom end caps
- Interior and exterior screens
- Heavy-duty pleated paper
- Square-cut & beveled rubber gaskets



Specifications	AS6182	AS6220
Length	15.0 in (38.1 cm)	18.8 in. (47.8 cm)
Diameter	4.4 in. (11.2 cm)	5.0 in. (12.7 cm)
Weight	1.7 lb (0.8 kg)	2.2 lb (1.0 kg)
Housing Part Number	AFSF15	AFSF21

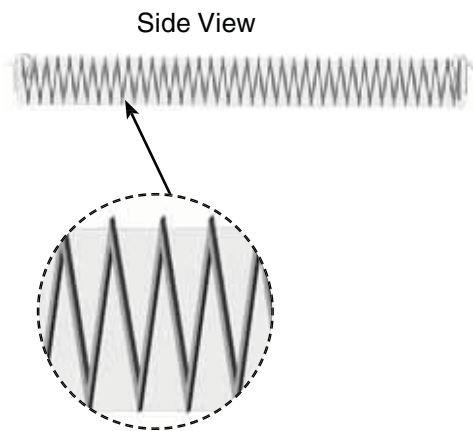
Specifications	AS6221	AS6316	AS6320	AS6323
Length	17.6 in. (44.7 cm)	14.9 in (37.8 cm)	15.2 in. (36.6 cm)	22.0 in. (55.9 cm)
Diameter	7.2 in. (18.3 cm)	5.5 in. (13.9 cm)	5.6 in. (14.2 cm)	10.2 in. (25.9 cm)
Weight	2.4 lb (1.1 kg)	1.7 lb (0.8 kg)	1.5 lb (0.7 kg)	3.3 lb (1.5 kg)
Housing Part Number	AFSF310	AFSF20	AFSF18	AFSF430

Cabin Air Filters

Cabin Air Filters

Presently, 40% of all vehicles in use have a cabin air filter installed. These filters are used to remove dust, pollen, mold spores, engine exhaust and other gases from the cabin air. The filter should be changed out every 15,000 miles.

By servicing the filter, the heater and evaporator will be protected from corrosion and the air in the cabin compartment will be more healthy for the occupants.



F

Specifications	AFC1000	AFC1001	AFC2000	AFC2001
Application	General Motors	General Motors	Ford Motor Co.	Ford Motor Co.
Media	Paper/Carbon	Paper	Paper/Carbon	Paper
Height	5.3 in. (13.5 cm)	5.4 in. (13.7 cm)	10.4 in. (26.4 cm)	10.4 in. (26.4 cm)
Width	9.1 in. (23.1 cm)	9.4 in. (23.9 cm)	9.0 in. (22.9 cm)	9.0 in. (22.9 cm)
Depth	0.9 in. (2.3 cm)	0.9 in. (2.3 cm)	1.1 in. (2.8 cm)	1.1 in. (2.8 cm)

EA Series

EA Series Air Filters

Replacement Filters



Product Information and Specifications

Racor introduces a line of replacement air filters for its EA and EAVLR series air cleaners. These primary and safety filters are high efficiency urethane radial seal filters designed

to perform at the highest level to protect your investment. They are also direct replacements for common air cleaner designs from other filter manufacturers.

EA Series Replacement Filters

The most important components of any heavy duty air cleaner are the primary and secondary filter. Without a high quality replacement filter, the air cleaner cannot perform the job it is designed to do. Racor replacement filters for the EA and EAVLR air cleaners are designed and manufactured with the highest quality materials, including high efficiency, high capacity filter media, and reliable, durable urethane end caps.

Features:

- High Efficiency media
- Industry standard radial seal design
- Urethane encapsulation
- High dust holding capacity

Part No.		Enginaire		Donaldson		Baldwin		Fleetguard		Luberfiner	
Primary	Safety	Primary	Safety	Primary	Safety	Primary	Safety	Primary	Safety	Primary	Safety
EAPE68300	EASE68340	2s-E1	2s-E2	P822686	P535396	RS3715	RS3930	AF25538	N/A	LAF8388	LAF22056
		68300	68340								
EAPE68310	EASE68350	2-E1	2-E2	P772578	P775298	RS3546	RS3547	AF25539	AF25434	LAF8147	LAF5844
		68310	68350								
EAPE68315	EASE68355	2.5-E1	2.5-E2	P822768	P822769	RS3702	RS3703	AF25436	AF25497	LAF8143	LAF8114
		68315	68355								
EAPE68320	EASE68360	3-E1	3-E2	P772579	P775300	RS3542	RS3543	AF25526	AF25484	LAF8148	LAF9332
		68320	68360								
EAPE68330	EASE68370	3.75-E1	3.75-E2	P772580	P775302	RS3544	RS3545	AF25352	AF25485	LAF4544	LAF4545
		68330	68370								
EAPE68332	EASE68372	4.5-E1	4.5-E2	P777588	P777639	N/A	RS3885	AF25504	AF25491	N/A	LAF5932
		68332	68372								
EAPE68630	EASE68631	6-E1	6-E2	N/A	N/A	N/A	N/A	N/A	N/A	N/A	N/A
		68630	68631								
EAPE68645	EASE68638	7-E1	7-E2	N/A	N/A	N/A	N/A	N/A	N/A	N/A	N/A
		68645	68638								

EACP Series

Composite Dynamic Air Precleaners



Product Information and Specifications

Racor composite dynamic air precleaners separate solid dust and debris from the air stream before they reach the main air cleaner. They are installed in place of the rain cap, dust bowl, or aspirated precleaner (exhaust system). In some applications, they can be mounted directly to the air cleaner. Air enters through static vanes at the bottom periphery of the precleaner causing the air to spin and drive a high velocity rotor, which in turn acts as a blower that centrifugally forces dust, dirt, insects, water, and snow through a discharge port. Pre-cleaned air then flows through the outlet to the main air cleaner system.

Racor composite precleaners extend the life of the primary air filter from 5 to over 12 times, greatly increasing the air cleaner service interval, reducing operating cost, and increasing equipment uptime.

Racor Composite Precleaners range in size to fit intakes from 1 1/2" to 6" diameter to handle air flows from 3 to 900 CFM. They have been independently tested and proven superior. Racor Composite Precleaners are constructed with specially formulated materials to withstand heat, cold, vibration, UV Radiation, and impact.

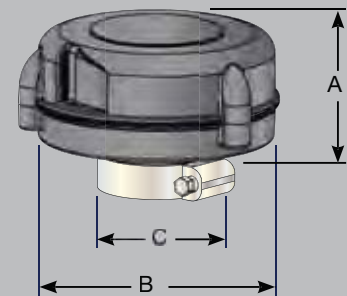
EACP Series

Equipment operated in dusty environments require more periodic maintenance and experience more down time. The filter in the air cleaner requires more frequent replacement as the level of dust increases. A plugged filter reduces power, fuel economy, and engine component life. Racor composite dynamic air precleaners dramatically increase the life of the air filter, reduce overall intake system restriction, increase equipment productivity, reduce downtime, and save money.

Features

- High efficiency
- Light weight
- Durable
- Rust/corrosion resistant
- UV Resistant
- Sealed bearings
- No maintenance
- Limited Lifetime Warranty

Dimensions



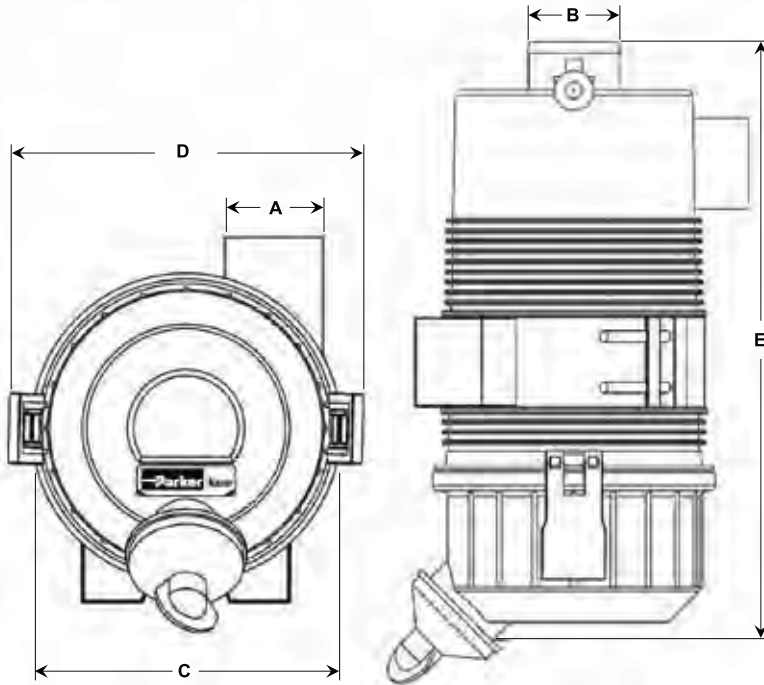
Part No.	Air Intake ID		Airflow				Dimensions				Weight	
	C		cfm		m ³ /min		in.		cm		lbs	kg
	in.	cm	Min	Max	Min	Max	A	B	A	B		
EACP61508	1.5	3.8	3	20	0.08	0.6	2.3	3.6	5.8	9.1	0.42	0.19
EACP61511	2.0	5.1	20	100	0.57	4.3	3.0	4.8	7.6	12.2	0.55	0.25
EACP61513	3.0	7.6	75	250	2.1	7.1	4.0	6.9	10.1	17.5	1.5	0.68
EACP61515	4.0	10.1	150	465	4.3	13.2	5.3	9.4	13.5	23.9	2.83	1.28
EACP61521	4.5	11.4	250	600	7.1	17.0	7.0	10.8	17.8	27.4	3.7	1.68
EACP61523	5.0	12.7	250	600	7.1	17.0	7.0	10.8	17.8	27.4	3.7	1.68
EACP61519	6.0	15.2	250	600	7.1	17.0	7.0	10.8	17.8	27.4	3.7	1.68
EACP61517	6.0	15.2	350	1100	9.9	31.1	6.6	12.0	16.8	30.5	5.67	2.57

Questions? Contact Technical Support:
800 344 3286 or 209 521 7860 ext. 7555
e-mail: racortech@parker.com

EAF Series

EAF Series

Composite Heavy Duty Air Cleaners



EAF Series

Heavy duty equipment requires heavy duty engine air intake filtration. Heavy duty composite air cleaners are designed and built to meet the requirements for gasoline and diesel powered agricultural, construction, turf care, forestry, and mining equipment. Designed for high dust environments with excessive vibration and extreme temperatures. Composite air cleaners are the economical choice for your heavy duty applications.

Features

- High efficiency dust holding capacity
- UV resistant high-strength polymer composite
- Tool-less service
- Working temperature -40°C to 100°C (-40°F to 212°F)
- Industry standard radial seal filter
- Mounted vertically or horizontally
- Spring loaded mounting bracket
- Dual position restriction indicator port mounting

Part No.	Safety Element	Flow Rate at Initial Restriction						A		B		C		D		E	
		6 in. H ₂ O cfm	6 in. H ₂ O m ³ / min	8 in. H ₂ O cfm	8 in. H ₂ O m ³ / min	10 in. H ₂ O cfm	10 in. H ₂ O m ³ / min	O.D. Inlet in.	O.D. Inlet cm	O.D. Outlet in.	O.D. Outlet cm	in.	cm	in.	cm	in.	cm
EAF68110	No	75	2.1	90	2.5	105	3.0	2.0	5.1	1.8	4.6	4.8	12.2	6.1	15.5	9.0	22.9
EAF68111	Yes	65	1.8	75	2.1	85	2.4	2.0	5.1	1.8	4.6	4.8	12.2	6.1	15.5	9.0	22.9
EAF68120	No	100	2.8	115	3.3	130	3.7	2.0	5.1	2.0	5.1	5.8	14.7	7.1	18.0	13.4	34.0
EAF68130	Yes	90	2.5	105	3.0	115	3.3	2.0	5.1	2.0	5.1	5.8	14.7	7.1	18.0	13.4	34.0
EAF68132	No	150	4.2	175	5.0	195	5.5	2.5	6.4	2.5	6.4	6.9	17.5	8.2	20.8	14.1	35.8
EAF68133	Yes	145	4.1	165	4.7	185	5.2	2.5	6.4	2.5	6.4	6.9	17.5	8.2	20.8	14.1	35.8
EAF68140	No	160	4.5	190	5.4	210	5.9	3.0	7.6	3.0	7.6	7.2	18.3	8.6	21.8	14.6	37.1
EAF68150	Yes	150	4.2	170	4.8	190	5.4	3.0	7.6	3.0	7.6	7.2	18.3	8.6	21.8	14.6	37.1
EAF68160	No	250	7.1	290	8.2	325	9.2	3.8	9.7	3.5	8.9	8.4	21.3	9.7	24.6	15.6	39.6
EAF68170	Yes	225	6.4	260	7.4	280	7.9	3.8	9.7	3.5	8.9	8.4	21.3	9.7	24.6	15.6	39.6
EAF68175	No	375	10.6	425	12.0	475	13.5	4.5	11.4	4.0	10.2	10.6	26.9	11.9	30.2	19.1	48.5
EAF68175-1	Yes	325	9.2	375	10.6	425	12.0	4.5	11.4	4.0	10.2	10.6	26.9	11.9	30.2	19.1	48.5
EAF68178	No	600	17.0	685	19.4	770	21.8	6.0	15.2	5.0	12.7	12.2	31.0	13.5	34.3	22.0	55.9
EAF68179	Yes	500	14.2	565	16.0	630	17.8	6.0	15.2	5.0	12.7	12.2	31.0	13.5	34.3	22.0	55.9
EAF68182	No	800	22.7	910	25.8	1060	30.0	7.0	17.8	6.0	15.2	15.5	39.4	16.8	42.7	21.5	54.6
EAF68185	Yes	710	20.1	830	23.5	960	27.2	7.0	17.8	6.0	15.2	15.5	39.4	16.8	42.7	21.5	54.6

EAF Series Air Cleaner

Replacement Filter Guide



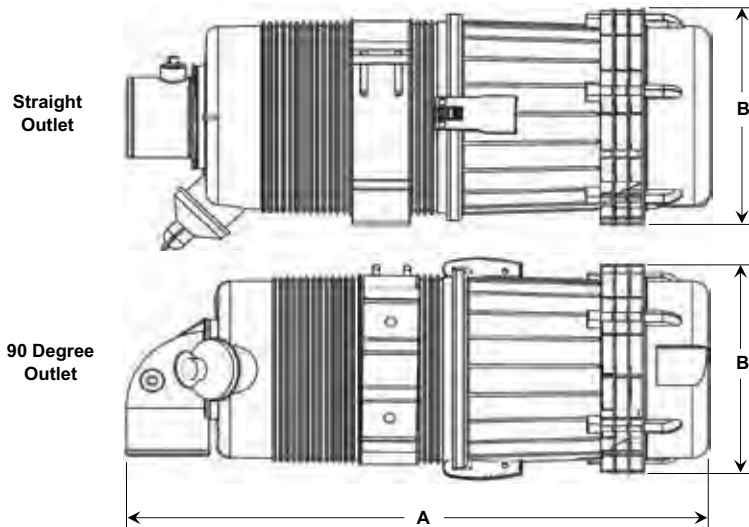
F

Part No.	Primary	Safety
EAF68110	EAPE68300	N/A
EAF68111	EAPE68300	EASE68340
EAF68120	EAPE68310	N/A
EAF68130	EAPE68310	EASE68350
EAF68132	EAPE68315	N/A
EAF68133	EAPE68315	EASE68355
EAF68140	EAPE68320	N/A
EAF68150	EAPE68320	EASE68360
EAF68160	EAPE68330	N/A
EAF68170	EAPE68330	EASE68370
EAF68175	EAPE68332	N/A
EAF68175-1	EAPE68332	EASE68372
EAF68178	EAPE68630	N/A
EAF68179	EAPE68630	EASE68631
EAF68182	EAPE68645	N/A
EAF68185	EAPE68645	EASE68638

EAVLR Series

EAVLR Series

Composite Very Low Restriction Heavy Duty Air Cleaners



EAVLR Series

The VLR incorporates a proven dynamic precleaner and additional static precleaning action into a dual filter canister. They are available with straight or 90 degree outlet, a primary filter only, or with primary and safety filter. They can be mounted horizontally or vertically and rotated in any direction, as long as the dust evacuator valve is pointed downward.

Features

- High efficiency and dust holding capacity
- Durable high strength polymer composite construction
- Rust and corrosion resistant
- UV resistant
- Industry standard radial seal filter
- Intake flow rates from 50 to 700 cfm

Part No.	Outlet Type	Safety Element	Initial Restriction						Outlet OD		A		B	
			6 in. H ₂ O cfm	m ³ /min	8 in. H ₂ O cfm	m ³ /min	10 in. H ₂ O cfm	m ³ /min	in.	cm	in.	cm	in.	cm
EAVLR68193S	Straight	No	85	2.4	102	2.9	119	3.4	1.8	4.6	13.3	33.8	5.4	13.7
EAVLR68193S2	Straight	Yes	66	1.9	78	2.2	88	2.5	1.8	4.6	13.3	33.8	5.4	13.7
EAVLR68193	90°	No	74	2.1	88	2.5	98	2.8	1.8	4.6	12.6	32.0	5.4	13.7
EAVLR68193-2	90°	Yes	58	1.6	68	1.9	88	2.5	1.8	4.6	12.6	32.0	5.4	13.7
EAVLR68194	Straight	No	100	2.8	115	3.3	132	3.7	2.0	5.1	19.8	50.3	6.3	16.0
EAVLR68199S	Straight	Yes	85	2.4	100	2.8	114	3.2	2.0	5.1	19.8	50.3	6.3	16.0
EAVLR68190	90°	No	82	2.3	95	2.7	105	3.0	2.0	5.1	18.5	47.0	6.3	16.0
EAVLR68199	90°	Yes	75	2.1	88	2.5	97	2.7	2.0	5.1	18.5	47.0	6.3	16.0
EAVLR68197S	Straight	No	178	5.0	200	5.7	230	6.5	2.5	6.4	21.0	53.3	6.3	16.0
EAVLR68197S2	Straight	Yes	162	4.6	188	5.3	212	6.0	2.5	6.4	21.0	53.3	6.3	16.0
EAVLR68197	90°	No	145	4.1	170	4.8	188	5.3	2.5	6.4	20.6	52.3	6.3	16.0
EAVLR68197-2	90°	Yes	138	3.9	161	4.6	181	5.1	2.5	6.4	20.6	52.3	6.3	16.0
EAVLR68195S1	Straight	No	182	5.2	214	6.1	238	6.7	3.0	7.6	20.4	51.8	8.2	20.8
EAVLR68195S	Straight	Yes	166	4.7	194	5.5	222	6.3	3.0	7.6	20.4	51.8	8.2	20.8
EAVLR68195-1	90°	No	160	4.5	185	5.2	209	5.9	3.0	7.6	21.0	53.3	8.2	20.8
EAVLR68195	90°	Yes	150	4.2	177	5.0	194	5.5	3.0	7.6	21.0	53.3	8.2	20.8
EAVLR68191	Straight	No	310	8.8	360	10.2	410	11.6	4.0	10.2	17.8	45.2	10.0	25.4
EAVLR68198-1	Straight	No	510	14.4	580	16.4	670	19.0	5.0	12.7	32.0	81.3	14.3	36.3
EAVLR68189-2	Straight	Yes	475	13.5	550	15.6	625	17.7	5.0	12.7	32.0	81.3	14.3	36.3
EAVLR68198	Straight	No	520	14.7	650	18.4	730	20.7	6.0	15.2	32.0	81.3	14.3	36.3
EAVLR68196-3	Straight	Yes	510	14.4	600	17.0	675	19.1	6.0	15.2	32.0	81.3	14.3	36.3

EAVLR Replacement Filters

Composite Very Low Restriction Heavy Duty Air Cleaners



F

Part No.	Primary	Safety
EAVLR68193S	EAPE68300	N/A
EAVLR68193S2	EAPE68300	EASE68340
EAVLR68193	EAPE68300	N/A
EAVLR68193-2	EAPE68300	EASE68340
EAVLR68194	EAPE68310	N/A
EAVLR68199S	EAPE68310	EASE68350
EAVLR68190	EAPE68310	N/A
EAVLR68199	EAPE68310	EASE68350
EAVLR68197S	EAPE68320	N/A
EAVLR68197S2	EAPE68320	EASE68360
EAVLR68197	EAPE68320	N/A
EAVLR68197-2	EAPE68320	EASE68360
EAVLR68195S1	EAPE68320	EASE68360
EAVLR68195S	EAPE68320	EASE68360
EAVLR68195-1	EAPE68320	N/A
EAVLR68195	EAPE68320	EASE68360
EAVLR68191	EAPE68191*	N/A
EAVLR68198-1	EAPE68410-1*	N/A
EAVLR68189-2	EAPE68410-1*	EASE68410-2*
EAVLR68198	EAPE68410-1*	N/A
EAVLR68196-3	EAPE68410-1*	EASE68410-2*

*For special order call Racor.

Questions? Contact Technical Support:
800 344 3286 or 209 521 7860 ext. 7555
e-mail: racortech@parker.com

ECO® Series

Heavy Duty Air Cleaners

That's what Racor air filtration is all about. Because when engines breathe easy they perform better, and with more power, more torque and with improved fuel economy.

The Racor lineup includes heavy duty air cleaners and pre-cleaners, marine filter/silencers, cabin air filters and replacement filters. All are super high efficiency, with engineered, application-specific media that improves performance as it extends service life.

Whatever your application, there's a Racor Air Filtration System that will help you and your engine breathe easy and save you money.



ECO II



ECO III



ECO-BC



ECO-CM



ECO-LL



ECO-SE

And Others ...

ECO II Series

ECO II Series Features

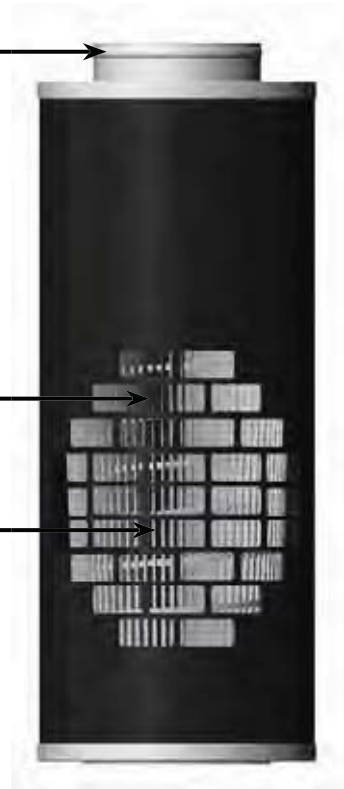
- The first cone-type filter element that is both tapered and offset.
- Beaded outlet.
- More usable media area than conventional filters.
- Paper pleats are permanently locked in place for reliable performance.
- Water-resistant media provides three to five times longer filter life than conventional designs.
- Media is SAE rated to provide average efficiency of 99.9% (SAE J726C), with no seals or gaskets to replace.

Requires no additional room to service element.

The ECO II is designed to lower the cost of replacing elements, this is due to its two piece design used for an under the hood truck application. The Inlet Adapter is a separate piece, this allows it to stay on the truck. (Inlet Adapter is sold separately).

The ECO II used without the Inlet Adapter has become the standard in the Generator Set market.

Air Flow is outside-in with water drain holes around the perimeter.



F

ECO II Series

ECO II Series Overview

Specifications	071338001	071338002	071338003	071338004
Air Flow Rate	750-1100 cfm (21.2-31.1 cmm)	920-1380 cfm (26.0-39.1 cmm)	1120-1600 cfm (31.7-45.3 cmm)	1140-1600 cfm (32.3-45.3 cmm)
Height	24.0 in. (61.0 cm)	24.0 in. (61.0 cm)	24.0 in. (61.0 cm)	18.0 in. (45.7 cm)
Diameter	10 in. (25.4 cm)	11.0 in. (27.9 cm)	13.5 in. (34.3 cm)	13.5 in. (34.3 cm)
Outlet	6.0 in. (15.2 cm)	7.0 in. (17.8 cm)	7.0 in. (17.8 cm)	7.0 in. (17.8 cm)
Inlet Adapter	No	No	No	No
Weight	12.5 lbs (5.7 kg)	16.2 lbs (7.4 kg)	19.0 lbs (8.6 kg)	16.9 lbs (7.7 kg)

Specifications	071338005	071338007	071338008
Air Flow Rate	1140-1600 cfm (32.3-45.3 cmm)	920-1390 cfm (26.0-39.4 cmm)	710-1070 cfm (20.1-30.3 cmm)
Height	15.0 in. (38.1 cm)	24.0 in. (61.0 cm)	18.0 in. (45.7 cm)
Diameter	13.5 in. (34.3 cm)	11.0 in. (27.9 cm)	9.8 in. (24.9 cm)
Outlet	7.0 in. (17.8 cm)	7.0 in. (17.8 cm)	6.0 in. (15.2 cm)
Inlet Adapter	No	No	No
Weight	14.0 lbs (6.3 kg)	14.5 lbs (6.5 kg)	9.1 lbs (4.1 kg)

Specifications	071338009	071338010	071338013
Air Flow Rate	1210-1910 cfm (34.3-54.1 cmm)	N/A	N/A
Height	24.0 in. (61.0 cm)	18.0 in. (45.7 cm)	24.0 in. (61.0 cm)
Diameter	13.5 in. (34.3 cm)	10.9 in. (27.7 cm)	13.4 in. (34.0 cm)
Outlet	7.0 in. (17.8 cm)	7.0 in. (17.8 cm)	8.0 in. (20.3 cm)
Inlet Adapter	No	No	No
Weight	9.0 lbs (4.0 kg)	N/A	N/A

Notes:
cfm = feet³ per minute
cmm = meters³ per minute

ECO II Adapters

- Installs directly on ECO II element.
- Sized by matching element diameter.



F

Part Number	Inlet Size	Weight
071656001	11" I.D. 6" Inlet	3.0 lbs (1.4 kg)
071656002	11" I.D. 7" Inlet	3.0 lbs (1.4 kg)
072994000	13" I.D. 7" Inlet	3.0 lbs (1.4 kg)

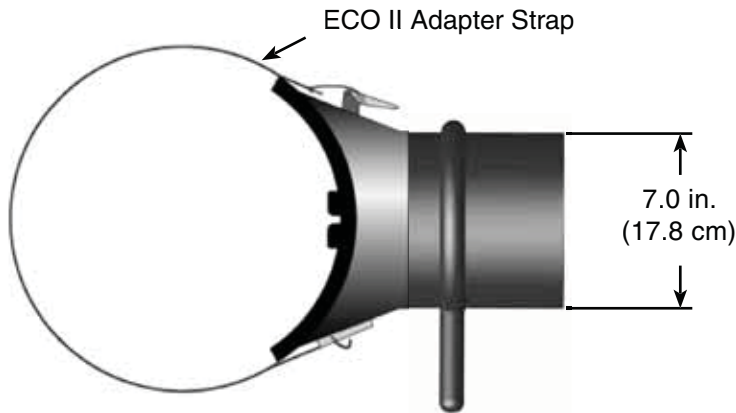
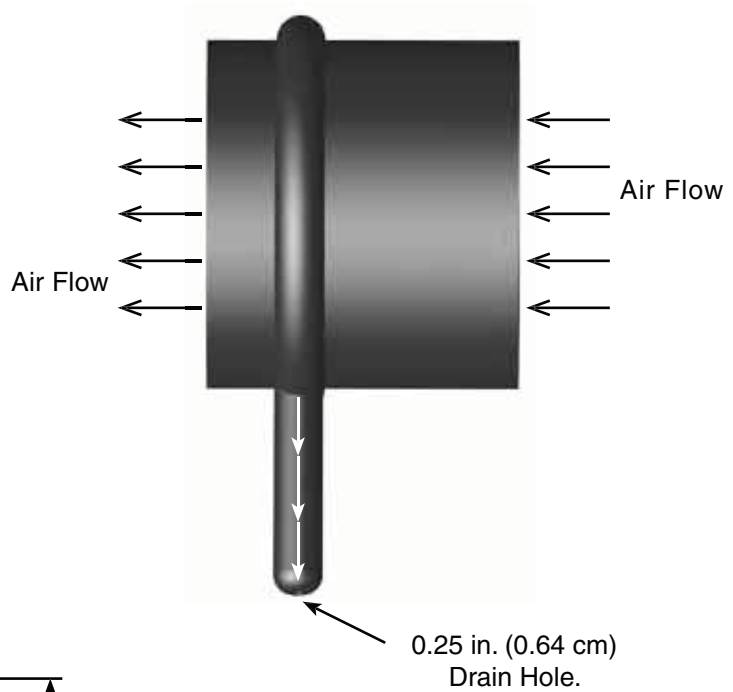
ECO II Series

ECO II Water Separator

Air cleaner must be installed with element horizontal with drain tube pointing down. Drain tube should be vertical within $\pm 5^\circ$. Element may be reversed in inlet transition to place outlet at opposite end.

Effective operation of the drain requires the negative pressure at the inlet to the water separator to be no more than 3.75 Inches.

- No service.
- Up to 80% water separation.
- Must be installed horizontal.
- Drain tube installed.



Specification	072995002
Diameter	7.0 in. (17.8 cm)
Height	13.5 in. (34.3 cm)
Length	N/A
Weight	N/A

ECO II HC Series

ECO II-HC

- Flow rates between 1000 and 1800 CFM.
- Perforated outer shell.
- Side inlet.
- End outlet.
- Molded urethane outlet.
- Water drain holes.
- Moisture-bloc media.
- Installs in any position.



F

Specifications	071338013
Air Flow	1000-1800 cfm (28.3-51.0 cmm)
Height	24.0 in. (61.0 cm)
Diameter	13.5 in. (34.3 cm)
Outlet Size	N/A
Inlet Size	N/A
Weight	N/A

ECO III Series

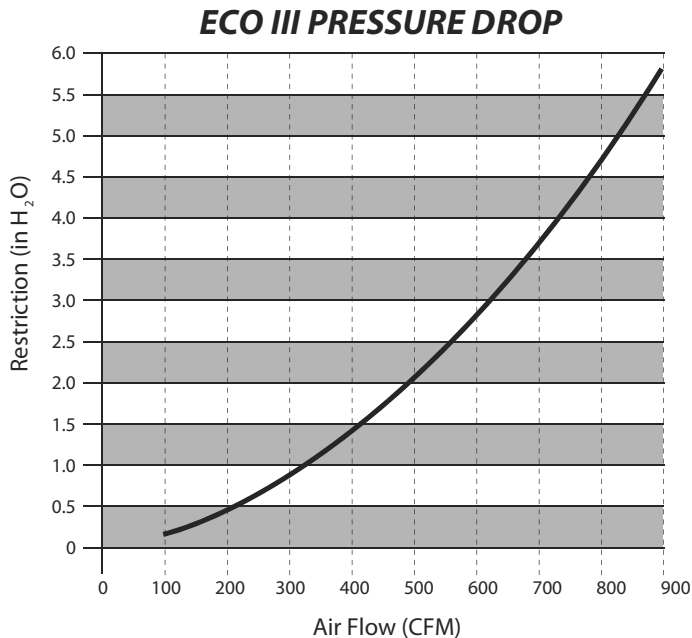
ECO III

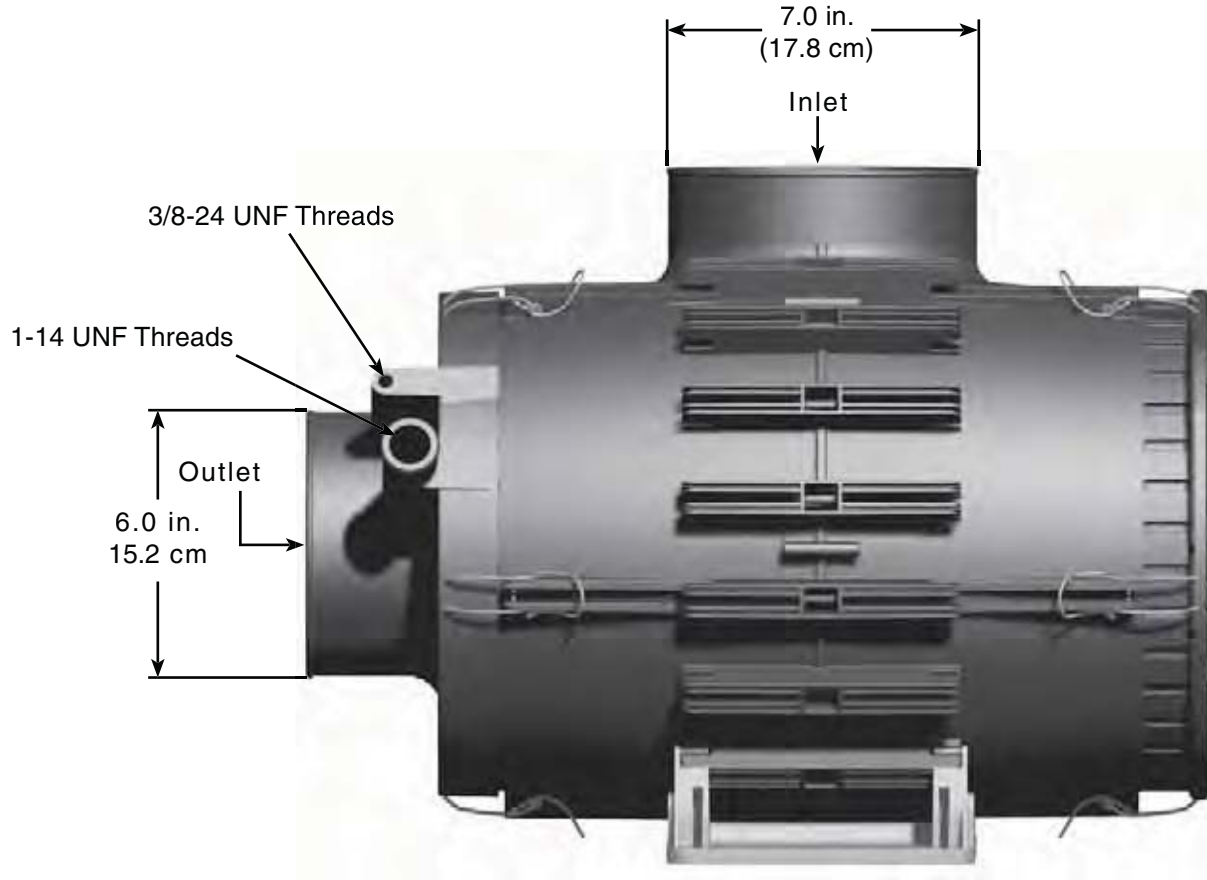
This clean simple toolless design, uses snap clamps to secure the housing and integrated element components together. The ECO III features four levels of sealing for maximum engine protection.

- The entire ECO III system is serviced with four quick release stainless steel parameter clamps.
- The house can be rotated 180° on the base. The outlet port is field reversible, and the orientation of the inlet port is adjustable in 20° increments.
- Reversible base mounting bracket and hardware mounts quickly, in any direction.
- Quick Key, integral to the mounting base securely locks the ECO III housing after the filtration unit has been precisely positioned.



Test Data



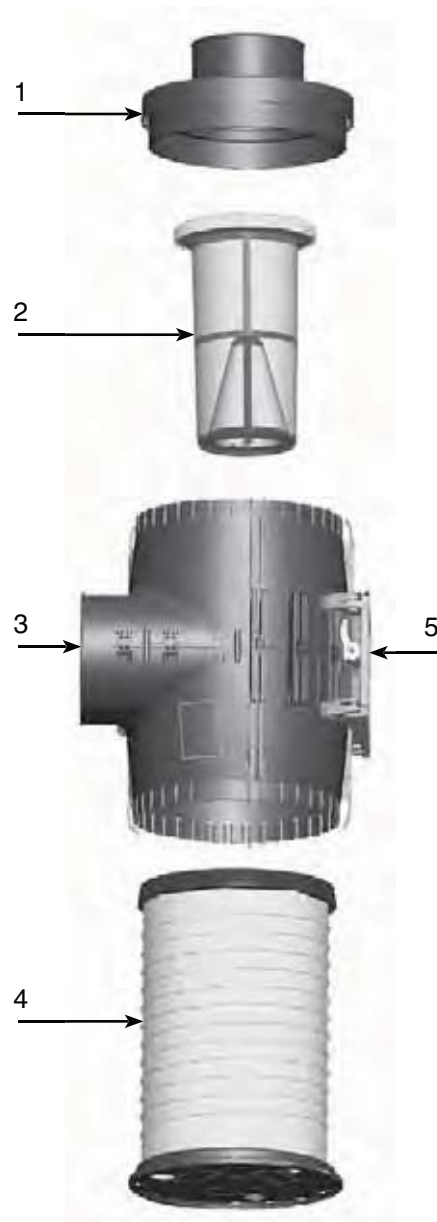


Specifications	500250012
Air Flow	900 cfm (25.5 cmm)
Inlet Size	7.0 in. (17.8 cm)
Outlet Size	6.0 in. (15.2 cm)
Height	13.6 in. (34.5 cm)
Width	20.6 in. (52.3 cm)

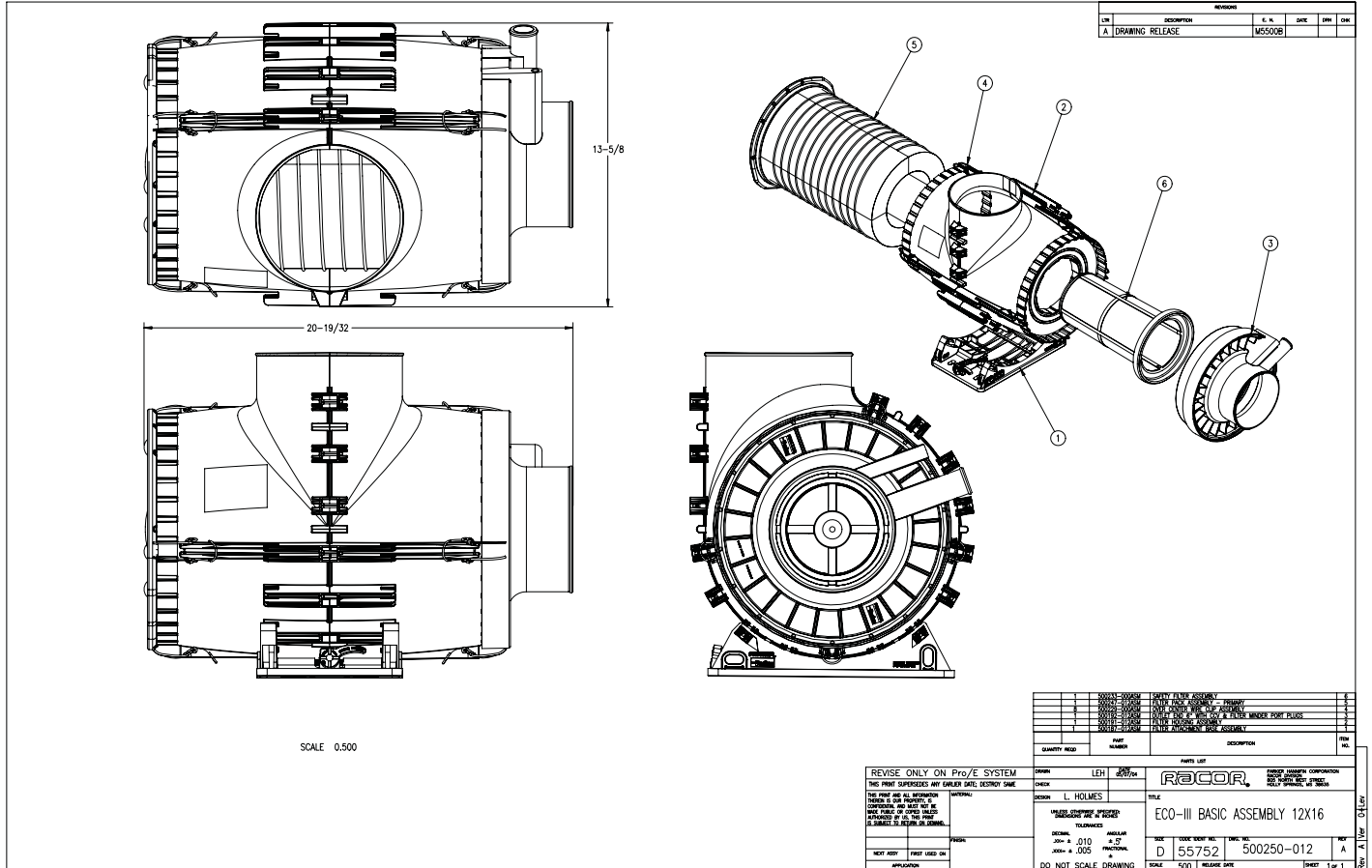
ECO III Series

Replacement Parts

<u>Part Number</u>	<u>Description</u>
1. 500192012	Outlet Pan
2. 500233000	Safety Element
3. 500250012	Housing
4. 500247012	Primary Element
5. 500187012	Mounting Base
Additional Parts (not shown)	
500229000	Replacement Clips (8)



Customer Interface Drawing



F

ECOLITE Series

ECOLITE

The original ECO Series product, the ECOLITE is still the only air filter in the industry that you can flow air in either direction. This allows a variety of installation options with the same part number replacement element. The ECOLITE can be mounted in any orientation or convenient location; under the hood or outside, direct or remote.

- Flow rates between 820 and 1900 CFM
- Reversible inlet/outlet (inlet can be at side or end)
- No drain holes
- Moisture-bloc media
- Installs in any position



Specifications	062891001	062891002	062891003	062891004
Air Flow	820-1200 cfm (23.2-34.0 cmm)	1100-1650 cfm (31.1-46.7 cmm)	1375-1900 cfm (38.9-53.8 cmm)	1070-1590 cfm (30.3-45.0 cmm)
Height	24.0 in. (61.0 cm)	24.0 in. (61.0 cm)	24.0 in. (61.0 cm)	18.0 in. (45.7 cm)
Diameter	9.8 in. (24.9 cm)	11.0 in. (27.9 cm)	13.5 in. (34.3 cm)	13.5 in. (34.3 cm)
Outlet Size	6.0 in. (15.2 cm)	7.0 in. (17.8 cm)	7.0 in. (17.8 cm)	7.0 in. (17.8 cm)
Inlet Size	6.0 in. (15.2 cm)	7.0 in. (17.8 cm)	7.0 in. (17.8 cm)	7.0 in. (17.8 cm)
Weight	16.0 lbs (7.3 kg)	19.0 lbs (8.6 kg)	16.3 lbs (7.4 kg)	16.3 lbs (7.4 kg)

Specifications	062891007	062891010
Air Flow	820-1200 cfm (23.2-34.0 cmm)	1025-1540 cfm (29.0-43.6 cmm)
Height	24.0 in. (61.0 cm)	15.0 in. (38.1 cm)
Diameter	9.8 in. (24.9 cm)	13.5 in. (34.3 cm)
Outlet Size	6.0 in. (15.2 cm)	7.0 in. (17.8 cm)
Inlet Size	6.0 in. (15.2 cm)	7.0 in. (17.8 cm)
Weight	16.0 lbs (7.3 kg)	15.3 lbs (6.9 kg)

Notes:
 cfm = feet³ per minute
 cmm = meters³ per minute

ECO-BC Series

ECO-BC

Designed for behind the cab installation on trucks, the ECO-BC must be mounted vertical with inside-out air flow. Also is used for under hood and engine compartment applications. The rubber drain valve in the bottom of the unit allows any ingested water or dirt to drain out.

- Flow rates between 720 and 1750 CFM
- Top inlet
- Side outlet
- Bleed valve in bottom of element
- Moisture-bloc media
- Installs in a vertical position only



F

Specifications	094973001	094973002	094973003	094973004
Air Flow	1120-1600 cfm (31.7-45.3 cmm)	1450-1750 cfm (41.1-49.6 cmm)	875-1250 cfm (24.8-35.4 cmm)	720-1060 cfm (20.4-30.0 cmm)
Height	24.0 in. (61.0 cm)	24.0 in. (61.0 cm)	24.0 in. (61.0 cm)	18.0 in. (45.7 cm)
Diameter	11.0 in. (27.9 cm)	13.5 in. (34.3 cm)	9.8 in. (24.9 cm)	9.8 in. (24.9 cm)
Outlet Size	7.0 in. (17.8 cm)	7.0 in. (17.8 cm)	6.0 in. (15.2 cm)	6.0 in. (15.2 cm)
Inlet Size	7.0 in. (17.8 cm)	7.0 in. (17.8 cm)	6.0 in. (15.2 cm)	6.0 in. (15.2 cm)
Weight	19.0 lbs (8.6 kg)	27.0 lbs (12.3 kg)	16.0 lbs (7.3 kg)	10.4 lbs (4.7 kg)

Specifications	094973005	094973006	094973007
Air Flow	980-1470 cfm (27.8-41.6 cmm)	810-1200 cfm (22.9-34.0 cmm)	1010-1490 cfm (28.6-42.1 cmm)
Height	15.0 in. (38.1 cm)	18.0 in. (45.7 cm)	18.0 in. (45.7 cm)
Diameter	13.5 in. (34.3 cm)	11.0 in. (27.9 cm)	11.0 in. (27.9 cm)
Outlet Size	7.0 in. (17.8 cm)	6.0 in. (15.2 cm)	7.0 in. (17.8 cm)
Inlet Size	7.0 in. (17.8 cm)	7.0 in. (17.8 cm)	7.0 in. (17.8 cm)
Weight	15.4 lbs (7.0 kg)	12.6 lbs (5.7 kg)	12.5 lbs (5.7 kg)

Notes:
 cfm = feet³ per minute
 cmm = meters³ per minute

ECO-CM Series

ECO-CM

For cowl-mount installation on conventional style truck cabs.

- U.S. flag logo embossed.
- Polished stainless steel cover.
- Air inlet/rain cap is standard.
- Right- and left-hand versions.
- No bolts or filter gaskets needed to seal housing.
- Fits most existing mounting configurations.
- Replaceable filter element includes inlet nozzle and water drain valve.



Specifications	400460001*	400460002*	400462001	400462002
Application	Kenworth	Kenworth	Peterbilt	Peterbilt
Diameter	13.5 in. (34.3 cm)	13.5 in. (34.3 cm)	13.5 in. (34.3 cm)	13.5 in. (34.3 cm)
Replacement Element	078897001	078897001	078897001	078897001
Right Side	Yes	No	Yes	No
Left Side	No	Yes	No	Yes

* For Pre 1981 Kenworth use P/N 093759000 Adaptor Bracket for each Side.

Specifications	400458001	400458002	500155002
Application	Pre 1987 Peterbilt	Pre 1987 Peterbilt	Peterbilt
Diameter	13.5 in. (34.3 cm)	13.5 in. (34.3 cm)	15.0 in. (38.1 cm)
Replacement Element	078897001	078897001	400122000
Right Side	Yes	No	No
Left Side	No	Yes	Yes

Replacement Parts

	<u>Part Number</u>	<u>Description</u>
1.		Air Intake and Rain Caps
	400431000	13.5 in. (34.3 cm)
	400135000	15.0 in. (38.1 cm)
2.		CM - 102 For Kenworth
	400461001	13.5 in. (34.3 cm) Stainless Cover - Right Hand Mount
	400461002	13.5 in. (34.3 cm) Stainless Cover - Left Hand Mount
		CM - 104 and CM - 101 For Peterbilt
	400463001	13.5 in. (34.3 cm) Stainless Cover - Right Hand Mount
	400463002	13.5 in. (34.3 cm) Stainless Cover - Left Hand Mount
		CM - 106 For Peterbilt
	500157001	15.0 in. (38.1 cm) Stainless Cover - Right Hand Mount
	500157002	15.0 in. (38.1 cm) Stainless Cover - Left Hand Mount
		CM - 107 For Kenworth
	500158001	15.0 in. (38.1 cm) Stainless Cover - Right Hand Mount
	500158001	15.0 in. (38.1 cm) Stainless Cover - Left Hand Mount
3.	078950000	13.5 in. (34.3 cm) & 15.0 in. (38.1 cm) Replacement Clamping Channel Kit



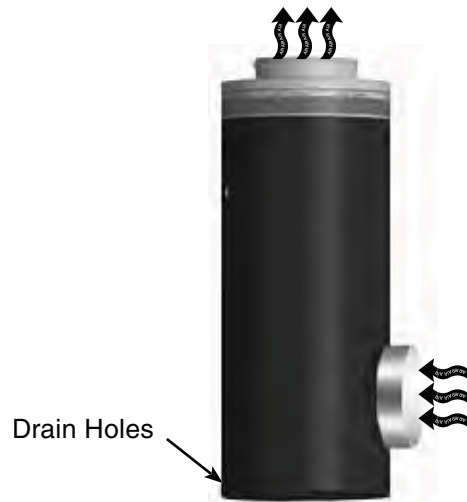
F

ECO-LL Series

ECO-LL

The ECO-LL is similar to the ECO-SM, but is for applications where the customer wants to get the longest life from his air filter. There are also more sizes available. It is also for outside-on air flow only and has drain holes around the perimeter.

- Flow rates between 645 and 1910 CFM.
- Long Life® paper pack.
- Side inlet.
- Top outlet.
- Water drain holes at top and bottom.
- Moisture-bloc media.
- Installs in any position.



Specifications	400820001	400820002	400820003	400820004
Air Flow	985-1475 cfm (27.9-41.8 cmm)	905-1340 cfm (25.6-37.9 cmm)	645-950 cfm (18.3-26.9 cmm)	1295-1910 cfm (36.7-54.1 cmm)
Height	24.0 in. (61.0 cm)	24.0 in. (61.0 cm)	24.0 in. (61.0 cm)	24.0 in. (61.0 cm)
Diameter	11.0 in. (27.9 cm)	11.0 in. (27.9 cm)	11.0 in. (27.9 cm)	13.5 in. (34.3 cm)
Outlet Size	7.0 in. (17.8 cm)	7.0 in. (17.8 cm)	7.0 in. (17.8 cm)	7.0 in. (17.8 cm)
Inlet Size	7.0 in. (17.8 cm)	7.0 in. (17.8 cm)	7.0 in. (17.8 cm)	7.0 in. (17.8 cm)
Weight	19.0 lbs (8.6 kg)	19.0 lbs (8.6 kg)	19.0 lbs (8.6 kg)	21.5 lbs (9.8 kg)

ECO-LL Overview

Specifications	400820005	400820006	400820007	400820008
Air Flow	1170-1735 cfm (33.1-49.1 cmm)	845-1250 cfm (23.9-35.4 cmm)	1115-1590 cfm (31.6-45.0 cmm)	1100-1545 cfm (31.1-43.7 cmm)
Height	24.0 in. (61.0 cm)	24.0 in. (61.0 cm)	15.0 in. (38.1 cm)	15.0 in. (38.1 cm)
Diameter	13.5 in. (34.3 cm)	13.5 in. (34.3 cm)	13.5 in. (34.3 cm)	13.5 in. (34.3 cm)
Outlet Size	7.0 in. (17.8 cm)	7.0 in. (17.8 cm)	7.0 in. (17.8 cm)	7.0 in. (17.8 cm)
Inlet Size	7.0 in. (17.8 cm)	7.0 in. (17.8 cm)	7.0 in. (17.8 cm)	7.0 in. (17.8 cm)
Weight	21.5 lbs (9.8 kg)	21.5 lbs (9.8 kg)	17.0 lbs (7.7 kg)	17.0 lbs (7.7 kg)

F

Specifications	400820009	400820010	400820012	400820014
Air Flow	1055-1560 cfm (29.9-44.2 cmm)	1135-1690 cfm (32.1-47.9 cmm)	820-1215 cfm (23.2-34.4 cmm)	970-1455 cfm (27.5-41.2 cmm)
Height	15.0 in. (38.1 cm)	15.0 in. (38.1 cm)	24.0 in. (61.0 cm)	18.0 in. (45.7 cm)
Diameter	13.5 in. (34.3 cm)	13.5 in. (34.3 cm)	9.8 in. (24.9 cm)	11.0 in. (27.9 cm)
Outlet Size	7.0 in. (17.8 cm)	7.0 in. (17.8 cm)	6.0 in. (15.2 cm)	7.0 in. (17.8 cm)
Inlet Size	7.0 in. (17.8 cm)	7.0 in. (17.8 cm)	6.0 in. (15.2 cm)	7.0 in. (17.8 cm)
Weight	15.1 lbs (7.0 kg)	15.1 lbs (7.0 kg)	13.1 lbs (6.0 kg)	13.5 lbs (6.2 kg)

ECO-LL Series

ECO-LL

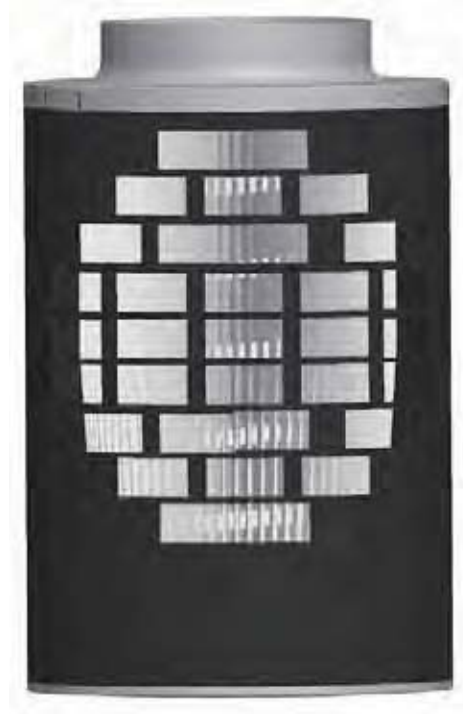
Specifications	400820015	400820019	400820020	400820021
Air Flow	715-1075 cfm (20.2-30.4 cmm)	710-1100 cfm (20.1-31.1 cmm)	820-1230 cfm (23.2-34.8 cmm)	N/A
Height	18.0 in. (45.7 cm)	13.0 in. (33.0 cm)	15.0 in. (38.1 cm)	15.0 in. (38.1 cm)
Diameter	11.0 in. (27.9 cm)	11.0 in. (27.9 cm)	11.0 in. (27.9 cm)	11.0 in. (27.9 cm)
Outlet Size	7.0 in. (17.8 cm)	7.0 in. (17.8 cm)	7.0 in. (17.8 cm)	6.0 in. (15.2 cm)
Inlet Size	7.0 in. (17.8 cm)	7.0 in. (17.8 cm)	7.0 in. (17.8 cm)	7.0 in. (17.8 cm)
Weight	13.5 lbs (6.2 kg)	10.2 lbs (4.6 kg)	11.5 lbs (5.2 kg)	N/A

Specifications	400820022	400820023
Air Flow	650-960 cfm (18.4-27.2 cmm)	720-1060 cfm (20.4-30.0 cmm)
Height	18.0 in. (45.7 cm)	13.0 in. (33.0 cm)
Diameter	11.0 in. (27.9 cm)	11.0 in. (27.9 cm)
Outlet Size	6.0 in. (15.2 cm)	6.0 in. (15.2 cm)
Inlet Size	7.0 in. (17.8 cm)	7.0 in. (17.8 cm)
Weight	12.8 lbs (5.8 kg)	10.2 lbs (4.6 kg)

Notes:
 cfm = feet³ per minute
 cmm = meters³ per minute

ECO-S2

- Flow rates between 1210 and 1910 CFM
- Large single grid opening
- Side inlet
- End outlet
- Molded urethane outlet
- Water drain holes in top and bottom of housing
- Moisture-bloc media
- Installs in any position



F

Specifications	400470002
Air Flow	1210-1910 cfm (34.3-54.1 cmm)
Height	15.0 in. (38.1 cm)
Diameter	11.0 in. (27.9 cm)
Outlet Size	7.0 in. (17.8 cm)
Inlet Size	N/A
Weight	N/A

Notes:
 cfm = feet³ per minute
 cmm = meters³ per minute

ECO-SE Series

ECO-SE

The ECO-SE is designed for small engine applications. It also has two unique features. First, it has a urethane outlet tube which allows the filter to be mounted directly to a metal tube or turbo without an additional rubber connection. Second, the standard unit is a straight through air filter, air goes in one end and out the other. Intake adapters are available if you would like to remotely locate the intake. The side inlet version offers additional mounting flexibility.

- Flow rates between 240 and 1180 CFM
- Back (open) inlet or side inlet
- Top outlet
- Water drain holes at top and bottom
- Moisture-bloc media
- Installs in any position



Specifications	114500001	114500002	114500003	117122000
Air Flow	240-340 cfm (6.8-9.6 cmm)	355-510 cfm (10.1-14.4 cmm)	610-890 cfm (17.3-25.2 cmm)	780-1180 cfm (22.1-33.4 cmm)
Height	13.8 in. (35.1 cm)	15.8 in. (40.1 cm)	18.8 in. (47.8 cm)	24.0 in. (61.0 cm)
Diameter	6.8 in. (17.3 cm)	7.8 in. (19.9 cm)	9.7 in. (24.6 cm)	11.0 in. (27.9 cm)
Outlet Size	3.0 in. (7.6 cm)	4.0 in. (10.2 cm)	5.0 in. (12.7 cm)	7.0 in. (17.8 cm)
Inlet Size	No	No	No	No
Weight	5.0 lbs (2.3 kg)	6.5 lbs (2.9 kg)	7.9 lbs (3.6 kg)	12.9 lbs (5.9 kg)

Specifications	114880003	114880005	400292000
Air Flow	600-900 cfm (17.0-25.5 cmm)	420-800 cfm (11.9-22.7 cmm)	N/A
Height	18.1 in. (46.0 cm)	15.8 in. (40.1 cm)	15.0 in. (38.1 cm)
Diameter	9.7 in. (24.6 cm)	7.8 in. (19.8 cm)	11.0 in. (27.9 cm)
Outlet Size	5.0 in. (12.7 cm)	4.0 in. (10.2 cm)	N/A
Inlet Size	6.0 in. (15.2 cm)	6.0 in. (15.2 cm)	N/A
Weight	9.0 lbs (4.1 kg)	7.0 lbs (3.2 kg)	N/A

Notes:
 cfm = feet³ per minute
 cmm = meters³ per minute

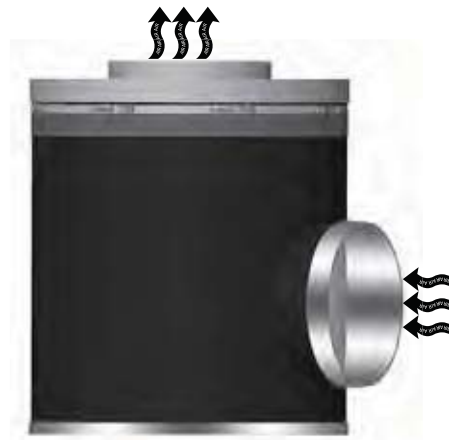
ECO-SM Series

ECO-SM

ECO-SM (Scheduled Maintenance)

The ECO-SM was designed to give additional mounting flexibility to the O.E.M. customer, while offering a greater value to the fleet that changes filter elements based on a scheduled maintenance program. Due to the various inlet tube locations, the ECO-SM is ideal for retrofit applications. It is for outside-in air flow only and has drain holes around the perimeter.

- Flow rates between 730 and 1670 CFM.
- Scheduled maintenance paper pack.
- Side inlet.
- Top outlet.
- Water drain holes at top and bottom.
- Moisture-bloc media.
- Installs in any position.



F

Specifications	099842002	099842004
Air Flow	980-1430 cfm (27.8-40.5)	1100-1620 cfm (31.1-45.9 cmm)
Height	24.0 in. (61.0 cm)	24.0 in. (61.0 cm)
Diameter	11.0 in. (27.9 cm)	13.5 in. (34.3 cm)
Outlet Size	7.0 in. (17.8 cm)	7.0 in. (17.8 cm)
Inlet Size	7.0 in. (17.8 cm)	7.0 in. (17.8 cm)
Weight	19.0 in. (8.6 kg)	27.0 lbs (12.3 kg)

ECO-SM Series

ECO-SM

Specifications	099842005	099842006	099842007
Air Flow	1130-1670 cfm (32.0-47.3 cmm)	1030-1500 cfm (29.2-42.5 cmm)	1120-1630 cfm (31.7-46.2 cmm)
Height	24.0 in. (61.0 cm)	24.0 in. (61.0 cm)	18.0 in. (45.7 cm)
Diameter	13.5 in. (34.3 cm)	13.5 in. (34.3 cm)	13.5 in. (34.3 cm)
Outlet Size	7.0 in. (17.8 cm)	7.0 in. (17.8 cm)	7.0 in. (17.8 cm)
Inlet Size	7.0 in. (17.8 cm)	7.0 in. (17.8 cm)	7.0 in. (17.8 cm)
Weight	27.0 lbs (12.3 kg)	27.0 lbs (12.3 kg)	24.0 lbs (10.9 kg)

Specifications	099842008	099842009	099842010
Air Flow	1060-1550 cfm (30.0-43.9 cmm)	1070-1550 cfm (30.3-43.9 cmm)	1060-1550 cfm (30.0-43.9 cmm)
Height	18.0 in. (45.7 cm)	15.0 in. (38.1 cm)	15.0 in. (38.1 cm)
Diameter	13.5 in. (34.3 cm)	13.5 in. (34.3 cm)	13.5 in. (34.3 cm)
Outlet Size	7.0 in. (17.8 cm)	7.0 in. (17.8 cm)	7.0 in. (17.8 cm)
Inlet Size	7.0 in. (17.8 cm)	7.0 in. (17.8 cm)	7.0 in. (17.8 cm)
Weight	24.0 lbs (10.9 kg)	22.5 lbs (10.0 kg)	22.5 lbs (10.0 kg)

Notes:
cfm = feet³ per minute
cmm = meters³ per minute

Ember Separator

Ember Separator

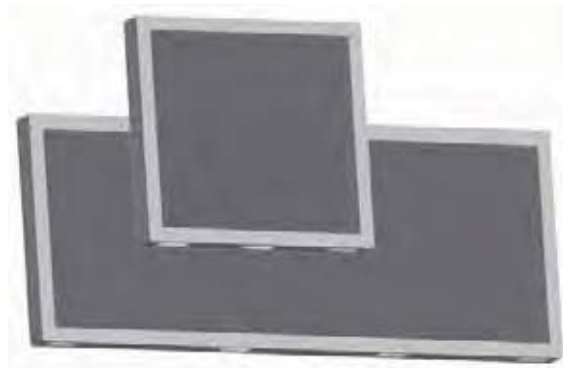
Ember protection is extremely important in order to protect fire suppression equipment as well as human life. The Racor Moisture Ember Separator (MES) protects the downstream air filter from embers using a combination of unique flat and crimped metal screens constructed into a galvanized steel frame. This multi-layered screen design traps embers and allows them to burn out before passing through the pack, while creating only minimal air flow restriction through the system.

In the event of fire hot embers may burn holes in the air filter, allowing dirt, sand, smoke and other particles to contaminate and shut down the engine, often beyond repair. Even worse, a burning air filter may lead to a major vehicle fire. Also, large amounts

of free water in the cylinders can result in broken pistons or bent rods. The Racor Moisture & Ember Separator is specifically designed to help separate hot embers from entering the engine intake. Meets NFPA guidelines.

Note: Periodic cleaning or replacement of the screen is all that's required after installation.

- **Removes embers from air flow.**
- **One inch thick.**
- **Can be used as a moisture separator.**



Specifications

Part Number	Description	Rated Airflow	Construction	Weight
93530-001	Housing with two separators	1600 CFM (2719 CMH)	Mild steel housing and polished stainless steel separators	48.5 lbs (22.0 kg)
58488-010	Replacement ember and moisture separator	800 CFM (1359 CMH)	Polished stainless steel	12.0 lbs (505 kgs)

Ember Separator

Ember Separator Overview

Specifications	123970001	123970002	123970003	123970004
Filtering Area	160.0 in. ² (1,032.3 cm ²)	69.0 in. ² (445.2 cm ²)	110.0 in. ² (709.7 cm ²)	187.0 in. ² (1206.4 cm ²)
Height	8.0 in. (20.3 cm)	7.9 in. (20.1 cm)	5.5 in. (14.0 cm)	20.8 in. (52.8 cm)
Width	20.0 in. (50.8 cm)	8.6 in. (21.8 cm)	20.0 in. (50.8 cm)	9.0 in. (22.9 cm)
Depth	1.0 in. (2.5 cm)	1.0 in. (2.5 cm)	1.0 in. (2.5 cm)	1.0 in. (2.5 cm)
Weight	2.5 lbs (1.1 kg)	1.2 lbs (0.6 kg)	2.5 lbs (1.1 kg)	3.0 lbs (1.4 kg)

Specifications	123970005	123970006	123970007	123970008
Filtering Area	114.0 in. ² (735.5 cm ²)	99.4 in. ² (641.3 cm ²)	233.4 in. ² (1505.8 cm ²)	60.0 in. ² (387.1 cm ²)
Height	9.5 in. (24.1 cm)	9.3 in. (23.6 cm)	11.3 in. (28.7 cm)	4.0 in. (10.2 cm)
Width	12.0 in. (30.5 cm)	10.8 in. (27.4 cm)	20.8 in. (52.8 cm)	15.0 in. (38.1 cm)
Depth	1.0 in. (2.5 cm)	1.0 in. (2.5 cm)	1.0 in. (2.5 cm)	1.0 in. (2.5 cm)
Weight	2.4 lbs (1.1 kg)	1.6 lbs (0.7 kg)	3.3 lbs (1.5 kg)	1.5 lbs (0.7 kg)

Specifications	123970009	123970010	123970011	123970012
Filtering Area	60.0 in. ² (387.1 cm ²)	121.3 in. ² (782.5 cm ²)	72.0 in. ² (464.5 cm ²)	89.4 in. ² (576.8 cm ²)
Height	7.8 in. (19.8 cm)	20.6 in. (52.3 cm)	9.0 in. (22.9 cm)	16.3 in. (41.4 cm)
Width	7.8 in. (19.8 cm)	5.9 in. (15.0 cm)	8.0 in. (20.3 cm)	5.5 in. (14.0 cm)
Depth	1.0 in. (2.5 cm)	1.0 in. (2.5 cm)	1.0 in. (2.5 cm)	1.0 in. (2.5 cm)
Weight	2.6 lbs (1.2 kg)	2.0 lbs (0.9 kg)	1.2 lbs (0.6 kg)	1.6 lbs (0.7 kg)

Ember Separator

Ember Separator Overview

Specifications	123970013	123970014	123970015	123970016
Filtering Area	87.5 in. ² (564.5 cm ²)	42.0 in. ² (271.0 cm ²)	124.0 in. ² (800.0 cm ³)	201.3 in. ² (1298.7 cm ²)
Height	3.5 in. (8.9 cm)	12.0 in. (30.5 cm)	8.0 in. (20.3 cm)	23.0 in. (58.4 cm)
Width	25.0 in. (63.5 cm)	3.5 in. (8.9 cm)	15.5 in. (39.4 cm)	8.8 in. (22.4 cm)
Depth	1.0 in. (2.5 cm)	1.0 in. (2.5 cm)	1.0 in. (2.5 cm)	1.0 in. (2.5 cm)
Weight	1.8 lbs (0.8 kg)	1.0 lbs (0.5 kg)	2.0 lbs (0.9 kg)	3.0 lbs (1.4 kg)

Specifications	123970017	123970018	123970019	123970020
Filtering Area	68.0 in. ² (438.7 cm ²)	50.8 in. ² (327.7 cm ²)	112.0 in. ² (722.6 cm ²)	81.8 in. ² (527.7 cm ²)
Height	5.3 in. (13.5 cm)	5.3 in. (13.5 cm)	16.0 in. (40.6 cm)	11.9 in. (30.2 cm)
Width	12.8 in. (32.5 cm)	9.5 in. (24.1 cm)	7.0 in. (17.8 cm)	6.8 in. (17.3 cm)
Depth	1.0 in. (2.5 cm)	1.0 in. (2.5 cm)	1.0 in. (2.5 cm)	1.0 in. (2.5 cm)
Weight	1.2 lbs (0.6 kg)	1.0 lbs (0.5 kg)	1.8 lbs (0.8 kg)	1.4 lbs (0.6 kg)

Specifications	123970021	123970022	123970023	123970024
Filtering Area	194.0 in. ² (1251.6 cm ²)	89.4 in. ² (576.8 cm ²)	55.0 in. ² (354.8 cm ²)	N/A
Height	11.4 in. (29.0 cm)	5.5 in. (14.0 cm)	10.0 in. (25.4 cm)	4.0 in. (10.2 cm)
Width	17.1 in. (43.4 cm)	16.3 in. (41.4 cm)	5.5 in. (14.0 cm)	22.0 in. (55.9 cm)
Depth	1.0 in. (2.5 cm)	1.0 in. (2.5 cm)	1.0 in. (2.5 cm)	1.0 in. (2.5 cm)
Weight	2.8 lbs (1.3 kg)	1.6 lbs (0.7 kg)	2.5 lbs (1.1 kg)	1.7 lbs (0.8 kg)

Spinaire Series

Spinaire Precleaners

- Air flow rates between 210 and 1850 cubic feet per minute (CFM).
- Outlet 4.0-9.0 in. (10.1-22.8 cm).
- Metal housing.
- Dynamic vane pre-cleaner.

Applications

Racor Engine Air Precleaners are designed to be mounted on or connected to the air filter intake of a gasoline or diesel engine air cleaner. Their applications include all slow moving and industrial equipment such as agricultural machinery; earth moving, construction and mining equipment; pumping plants; generator sets; material handling equipment; snow removal equipment and street sweepers.

Features and Benefits

Removes up to 90% of impurities from intake air before the air enters the filter elements. Extends engine air filter life. Reduces down time. Prolongs engine and turbocharger life. Saves on fuel costs. Easy to install. Three plastic outlet reduction sleeves are provided with each assembly.

A wide range of applications and flow rates. Steel housing, black powder coat. High air flow, low differential design. The precleaner is self-powered and self-cleaning, requiring no electrical or exhaust gas power to dispose of separated particles. It requires virtually no maintenance and should be inspected occasionally to insure that no foreign material has plugged intake or exhaust port areas.



Spinaire Series Overview



F

Specifications	123583440	123583550	123583660
Maximum Flow Rate	300 CFM (8.5 CMM)	520 CFM (14.7 CMM)	740 CFM (21.0 CMM)
Height	4.8 in. (12.2 cm)	7.1 in. (18.0 cm)	7.1 in. (18.0 cm)
Diameter	8.3 in. (21.1 cm)	10.6 in. (26.9 cm)	12.3 in. (31.2 cm)
Weight	5.0 lbs (2.3 kg)	8.0 lbs (3.6 kg)	9.0 lbs (4.1 kg)
Inlet Diameter	4.0 in. (10.2 cm)	5.0 in. (12.7 cm)	6.0 in. (15.2 cm)

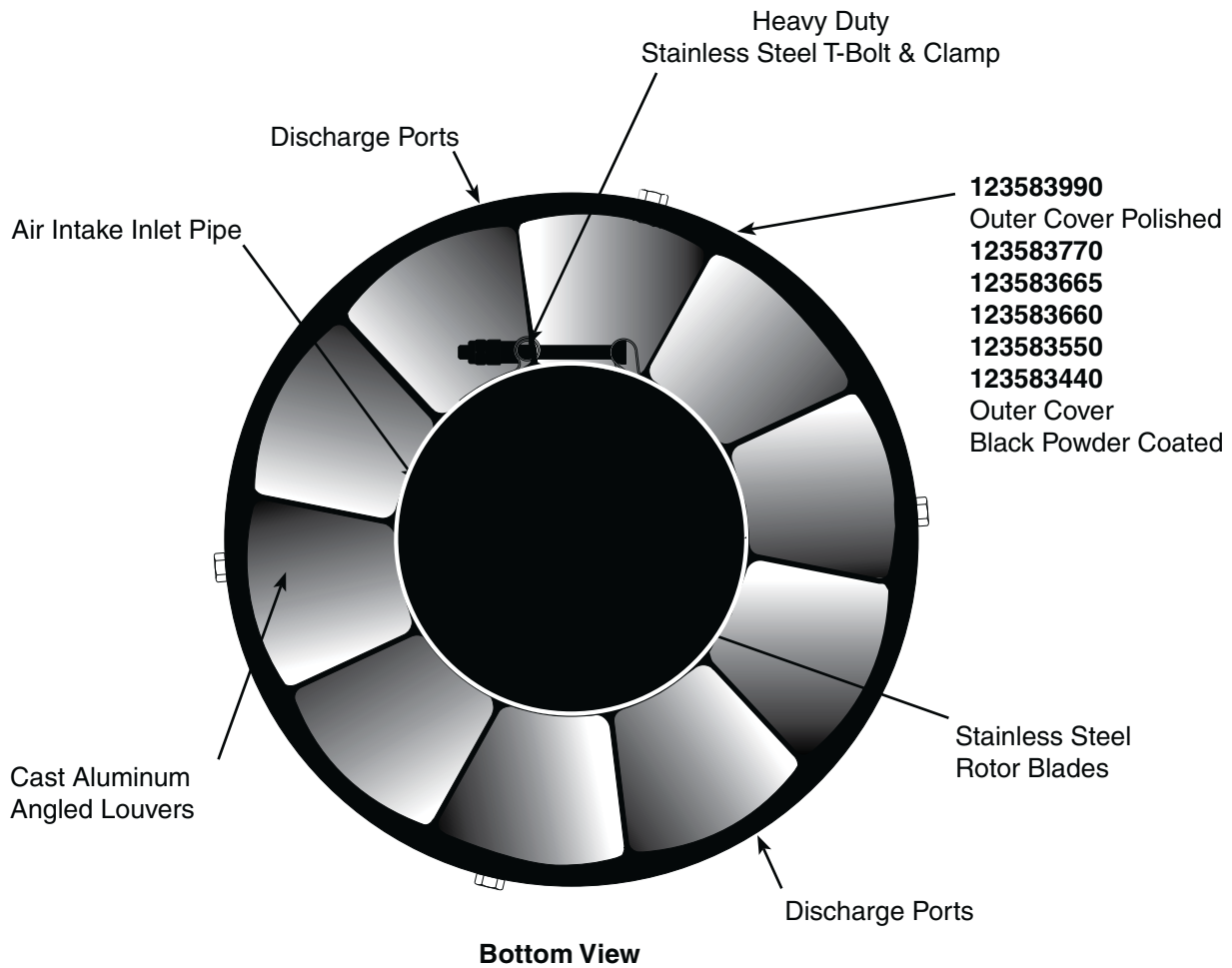
Specifications	123583665	123583770	123583990
Maximum Flow Rate	580 CFM (16.4 CMM)	1190 CFM (33.7 CMM)	1850 CFM (52.4 CMM)
Height	7.1 in. (18.0 cm)	7.3 in. (18.5 cm)	8.1 in. (20.3 cm)
Diameter	10.6 in. (26.9 cm)	14.1 in. (35.8 cm)	17.1 in. (43.4 cm)
Weight	8.0 lbs (3.6 kg)	11.0 lbs (5.0 kg)	14.0 lbs (6.3 kg)
Inlet Diameter	6.0 in. (15.2 cm)	7.0 in. (17.8 cm)	9.0 in. (22.9 cm)

Notes:

cfm = feet³ per minute
 cmm = meters³ per minute

Spinaire Series

Part Description



Tenkay Elements

Tenkay Elements



F

Specifications	125154005	125254013	084404000
Description	Tenkay STXL282	Tenkay STL222	Pamic Tenkay
Height	34.4 in. (87.4 cm)	N/A	N/A
Width	11.8 in. (3.0 cm)	N/A	N/A
Weight	19.0 lbs (8.6 kg)	14.0 lbs (6.3 kg)	1.0 lbs (0.5 kg)

Pamic Series

Pamic Series

The unique construction of the Pamic element with its exclusive mechanical pleat separation, provides more usable filter area than any competitive air cleaner, thus offering longer element life. UniPamic® models feature an efficient moisture separator panel which removes over 90% of the water that may enter the face of the air cleaner. AutoPamic® models can be upgraded to include a gravity-discharged dust pre-cleaner. RotoPamic® models are upgradable to either a compressed air or exhaust-aspirated pre-cleaner. An optional, easy-to-use service indicator tells when to change the filter element assuring maximum usage and lowest operating filter costs.

With its low intake air restriction and its greater effective media area than other dry-type air cleaners, the Pamic Series offers improved fuel economy and lowers per hour operating costs. No special tools or techniques, dirt is held inside the pleated filter element tubes. The filter is replaced from the dirty side of the air cleaner, reducing the danger of engine contamination. Because it is an integral part of the filter element, there are no separate gaskets to replace.

Benefits:

- **Security Shield.**
- **Extended Service Life.**
- **Increased Horsepower.**
- **Reduced Fuel Consumption.**
- **Easy To Service.**

**Autopamic Series****Rotopamic Series****Pre-Cleaners****Unipamic Series**

Autopamic Series

Autopamic Series

- Flow rates between 150 and 1280 CFM
- Gravity discharge pre-cleaner inlet
- Vertical tube configuration
- STD with no outlet
- Outlet ordered separately



F

Specifications	062705001	062705002	062705008
Max Air Flow	150-200 cfm (4.2-5.7 cmm)	175-250 cfm (5.0-7.1 cmm)	350-450 cfm (9.9-12.7 cmm)
HP. Range	75-100	80-125	175-225
Pamic Element	012233003	012233004	012233007
Number of Tubes	9	12	24
High:	3	3	4
Wide:	3	4	6
Outlet Size	3.0	3.0	4.0
Width	8.6 in. (21.8 cm)	10.9 in. (27.7 cm)	15.5 in. (39.4 cm)
Height	8.6 in. (21.8 cm)	8.6 in. (21.8 cm)	10.9 in. (27.7 cm)
Weight	32.3 lbs (14.5 kg)	37.0 lbs (17.0 kg)	58.7 lbs (26.4 kg)

Questions? Contact Technical Support:
 800 344 3286 or 209 521 7860 ext. 7555
 e-mail: racortech@parker.com

Autopamic Series

Autopamic Series Overview

Specifications	062705010	062705011	062705012
Max Air Flow	450-650 cfm (12.7-18.4 cmm)	600-800 cfm (17.0-22.7 cmm)	700-950 cfm (19.8-26.9 cmm)
HP. Range	225-325	300-400	350-475
Pamic Element	012233008	012233009	012233010
Number of Tubes	32	40	48
High:	4	5	6
Wide:	8	8	8
Outlet Size	5.0 in. (12.7 cm)	5.0 in. (12.7 cm)	6.0 in. (15.2 cm)
Width	20.2 in. (51.3 cm)	20.2 in. (51.3 cm)	20.2 in. (51.3 cm)
Height	10.9 in. (27.7 cm)	13.2 in. (33.5 cm)	15.5 in. (39.4 cm)
Weight	71.0 lbs (32.0 kg)	84.0 lbs (38.1 kg)	93.0 lbs (42.0 kg)

Specifications	062705013	059714000	059716000	059718000
Max Air Flow	950-1280 cfm (26.9-36.2 cmm)	1200-1600 cfm (34.0-45.3 cmm)	1400-1900 cfm (39.6-53.8 cmm)	1900-2500cfm (53.8-70.8 cmm)
HP. Range	475-640	600-800	700-950	950-1280
Pamic Element	012233011	012233009 ²	012233010 ²	012233011 ²
Number of Tubes	64	80 ¹	96 ¹	128 ¹
High:	8	8	8	8
Wide:	8	10	12	16
Outlet Size	6.0 in. (15.2 cm)	5.5 x 2	N/A	N/A
Width	20.2 in. (51.3 cm)	20.2 in. (51.3 cm)	20.2 in. (51.3 cm)	20.2 in. (51.3 cm)
Height	20.2 in. (51.3 cm)	27.8 in. (70.6 cm)	32.4 in. (82.3 cm)	41.8 in. (104.1 cm)
Weight	111.0 lbs (50.3 kg)	160.0 lbs (72.6 kg)	175.0 lbs (79.4 kg)	217.0 lbs (98.4 kg)

¹ Double side by side housing. Two air outlet nozzles required. There are no internal flanges on double housings.

² Two elements needed.

Rotopamic Series

Rotopamic Series

- Flow rates between 200 and 2200 CFM
- Positive pressure bleed
- Right hand bleed
- Vertical tube configuration
- STD with no outlet
- Outlet ordered separately



F

Part Number	Kit Description	Weight
062713003	P24, V RH Bleed, NO Out	59.0 lbs (26.6 kg)
062713007	P32, V RH Bleed, NO Out	70.0 lbs (31.0 kg)
062713009	P40, V RH Bleed, NO Out	82.0 lbs (36.9 kg)
062713011	P48, V RH Bleed, NO Out	92.0 lbs (41.4 kg)
062713013	P64, V RH Bleed, NO Out	111.0 lbs (50.0 kg)
067872000	P80, V RH Bleed, NO Out	145.0 lbs (65.3 kg)
067874000	P96, V RH Bleed, NO Out	165.0 lbs (74.3 kg)
067876000	P128, V RH Bleed, NO Out	206.0 lbs (92.7 kg)

Unipamic Series

Unipamic Series

- Flow rates between 100 and 3200 CFM
- Moisture separator pre-cleaner
- Vertical tube configuration
- STD with no outlet
- Outlet ordered separately



Specifications	044430001	059709000	059711000	059713000
Max Air Flow	1255 cfm (35.5 cmm)	1200 - 2000 cfm (34.0-56.6 cmm)	1400 - 2400 cfm (39.6-68.00 cmm)	2000 - 3200 cfm (56.6-90.6 cmm)
Pamic Element (2)	012233-008	012233009	056519004	065619005
Moisture Separator (2)	056519-002	056519003	012233010	012233011
Width	10.3 in. (26.2 cm)	27.8 in. (70.6 cm)	20.2 in. (56.4 cm)	20.2 in. (56.4 cm)
Height	40.2 in. (102.4 cm)	20.2 in. (56.4 cm)	32.4 in. (82.3 cm)	41.7 in. (105.9 cm)
Depth	15.5 in. (39.4 cm)	N/A	N/A	N/A
Weight	116.0 lbs (52.2 kg)	111.0 lbs (50.0 kg)	124.0 lbs (55.8 kg)	148.0 lbs (66.6 kg)

Specifications	062701003	062701004	062701010
Max Air Flow	3200 cfm (90.6 cmm)	3200 cfm (90.6 cmm)	3200 cfm (90.6 cmm)
Number of Tubes	9	12	24
Pamic Element	12233-003	12233-004	012233-007
Moisture Separator	056519-010	056519-011	056519-016
Width	8.6 in. (21.8 cm)	8.6 in. (21.8 cm)	10.9 in. (27.7 cm)
Height	8.6 in. (21.8 cm)	10.9 in. (27.7 cm)	15.5 in. (39.4 cm)
Depth	12.4 in. (31.5 cm)	12.4 in. (31.5 cm)	12.4 in. (31.5 cm)
Weight	25.0 lbs (11.3 kg)	29.6 lbs (13.3 kg)	44.4 lbs (20.0 kg)

Unipamic Series

F

Specifications	062701012	062701013	062701014
Max Air Flow	3200 cfm (90.6 cmm)	3200 cfm (90.6 cmm)	3200 cfm (90.6 cmm)
Number of Tubes	32	40	48
Pamic Element	12233-008	12233-009	012233-010
Moisture Separator	056519-002	056519-003	056519-004
Width	10.9 in. (27.7 cm)	13.2 in. (33.5 cm)	15.5 in. (39.4 cm)
Height	20.2 in. (51.3 cm)	10.9 in. (27.7 cm)	20.1 in. (51.1 cm)
Depth	12.4 in. (31.5 cm)	12.4 in. (31.5 cm)	12.4 in. (31.5 cm)
Weight	54.7 lbs (24.6 kg)	61.6 lbs (27.7 kg)	68.5 lbs (30.8 kg)

Specifications	062701015	062702001	062702002
Max Air Flow	3200 cfm (90.6 cmm)	3200 cfm (90.6 cmm)	3200 cfm (90.6 cmm)
Number of Tubes	64	4	6
Pamic Element	012233-011	012233-002	012233-012
Moisture Separator	056519-005	056519-007	056519-008
Width	20.2 in. (51.3 cm)	6.3 in. (16.0 cm)	6.3 in. (16.0 cm)
Height	20.2 in. (51.3 cm)	6.3 in. (16.0 cm)	8.6 in. (21.8 cm)
Depth	12.4 in. (31.5 cm)	13.8 in. (35.0 cm)	13.8 in. (35.0 cm)
Weight	78.8 lbs (35.5 kg)	N/A	N/A

Specifications	062702003	062703010
Max Air Flow	3200 cfm (90.6 cmm)	3200 cfm (90.6 cmm)
Number of Tubes	9	40
Pamic Element	012233-003	012233-009
Moisture Separator	056519-010	056519-003
Width	8.6 in. (21.8 cm)	13.2 in. (33.5 cm)
Height	8.6 in. (21.8 cm)	20.2 in. (51.3 cm)
Depth	13.8 in. (35.0 cm)	14.2 in. (36.1 cm)
Weight	N/A	61.6 lbs (27.7 kg)

Pamic Series

Pamic Series Elements

- Fits all Pamic Series Housings.
- Moisture Block Media.



Part Number	Description	Weight
012233001	P-2	0.6 lbs (0.3 kg)
012233002	P-4	1.7 lbs (0.8 kg)
012233012	P-6	2.3 lbs (1.0 kg)
012233003	P-9	2.9 lbs (1.3 kg)
012233004	P-12	3.5 lbs (1.6 kg)
012233014	P-12-26 (2x6)	4.0 lbs (1.8 kg)
012233005	P-16	4.6 lbs (2.1 kg)
012233017	P-18	5.8 lbs (2.6 kg)
012233006	P-20	6.9 lbs (3.1 kg)
012233007	P-24	7.5 lbs (3.4 kg)
012233018	P-16-28 (3x8)	5.2 lbs (2.3 kg)
012233019	P-24-38 (3x8)	8.1 lbs (3.6 kg)
012233008	P-32	8.6 lbs (3.6 kg)
012233009	P-40	10.4 lbs (4.7 kg)
012233010	P-48	12.1 lbs (5.4 kg)
012233011	P-64	15.5 lbs (7.0 kg)

UHD Elements

Replacement element for UHD systems.



F

Part Number	Size	Weight
061194000	Primary Filter 100	27.0 lbs (12.2 kg)
061195000	Secondary Filter 100	22.0 lbs (9.9 kg)

Pamic Series



Housing

Part Number	Description	Weight
060450022	P-9	15.0 lbs (6.8 kg)
060450023	P-12	17.3 lbs (7.8 kg)
060450026	P-24	25.3 lbs (11.4 kg)
060450027	P-32	30.5 lbs (13.7 kg)
060450028	P-40	34.0 lbs (15.3 kg)
060450029	P-48	38.0 lbs (17.1 kg)
060450030	P-64	42.0 lbs (18.9 kg)
024811001	P-80	60.0 lbs (27.0 kg)
024811002	P-96	67.0 lbs (30.2 kg)
024811003	P-128	78.0 lbs (35.1 kg)

Fasteners

Part Number	Description	Weight
042067000	Auto/Roto Pamic (P6 - P64)	0.4 lbs (0.2 kg)
042160000	Auto/Roto Pamic (P80, P96 and P128)	0.4 lbs (0.2 kg)
042586000	UniPamic (All Models)	0.4 lbs (0.2 kg)

Pre-Cleaners



F

Part Number	Description	Weight
056519010	Unipamic Pre-Cleaner P-9	4.6 lbs (2.1 kg)
056519011	Unipamic Pre-Cleaner P-12	6.3 lbs (2.8 kg)
056519016	Unipamic Pre-Cleaner P-24	8.6 lbs (3.9 kg)
056519002	Unipamic Pre-Cleaner P-32	5.0 lbs (2.3 kg)
056519003	Unipamic Pre-Cleaner P-40/P-80	13.8 lbs (6.2 kg)
056519004	Unipamic Pre-Cleaner P-48/P-96	15.0 lbs (6.8 kg)
056519005	Unipamic Pre-Cleaner P-64/P-128	17.8 lbs (8.0 kg)
035589001	Autopamic Pre-Cleaner P-9	10.0 lbs (4.5 kg)
035589008	Autopamic Pre-Cleaner P-24	21.0 lbs (9.5 kg)
035589010	Autopamic Pre-Cleaner P-32	25.5 lbs (11.5 kg)
035589011	Autopamic Pre-Cleaner P-40/P-80	31.3 lbs (14.1 kg)
035589012	Autopamic Pre-Cleaner P-48/P-96	36.2 lbs (16.3 kg)
035589013	Autopamic Pre-Cleaner P-64/P-128	48.0 lbs (21.6 kg)
060392001	Rotopamic Pre-Cleaner P-24	20.0 lbs (9.0 kg)
060393001	Rotopamic Pre-Cleaner P-32	24.2 lbs (10.9 kg)
060394001	Rotopamic Pre-Cleaner P-40	14.0 lbs (6.3 kg)
060394002	Rotopamic Pre-Cleaner P-40 LH	31.0 lbs (14.0 kg)
060395001	Rotopamic Pre-Cleaner P-48	34.5 lbs (15.5 kg)
060395002	Rotopamic Pre-Cleaner P-48 LH	34.5 lbs (15.5 kg)
060396001	Rotopamic Pre-Cleaner P-64	46.0 lbs (20.7 kg)
060396002	Rotopamic Pre-Cleaner P-64 LH	46.0 lbs (20.7 kg)

Pamic Series

Air Outlet Tubes

- 4 in. length.
- Outlet transition for Pamic housings.



Specifications	015382500	015382508	015382600
Length	4.0 in. (10.2 cm)	4.0 in. (10.1 cm)	4.0 in. (10.1 cm)
Width	5.0 in. (12.7 cm)	5.5 in. (13.9 cm)	6.0 in. (15.2 cm)
Weight	3.0 lbs (1.4 kg)	3.5 lbs (1.6 kg)	3.5 lbs (1.6 kg)

Air Outlet Nozzles

- Outlet transition for pamic housing.
- Lower pressure drop than tubes



F

Specifications	041199001	041199002	041199003
Length	1.6 in. (4.1 cm)	1.6 in. (4.1 cm)	1.7 in. (4.3 cm)
Maximum Width	4.6 in. (11.7 cm)	5.1 in. (13.0 cm)	5.8 in. (14.7 cm)
Outside Diameter	3.0 in. (7.6 cm)	3.5 in. (8.9 cm)	4.0 in. (10.2 cm)
Mounting Hole Size	3.9 in. (9.9 cm)	4.3 in. (10.9 cm)	5.4 in. (13.7 cm)
Weight	0.7 lbs (0.3 kg)	0.7 lbs (0.3 kg)	1.0 lbs (0.5 kg)

Specifications	041199004	041199005	041199006
Length	2.0 in. (5.1 cm)	2.2 in. (5.6 cm)	2.2 in. (5.6 cm)
Maximum Width	7.2 in. (18.3 cm)	7.8 in. (19.8 cm)	8.3 in. (21.1 cm)
Outside Diameter	5.0 in. (12.7 cm)	5.5 in. (14.0 cm)	6.0 in. (15.2 cm)
Mounting Hole Size	6.1 in. (15.5 cm)	6.9 in. (17.5 cm)	7.4 in. (18.8 cm)
Weight	1.2 lbs (0.5 kg)	1.4 lbs (0.6 kg)	1.6 lbs (0.7 kg)

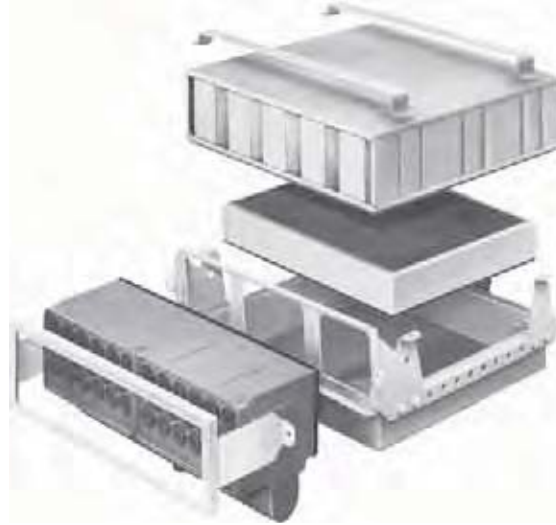
Specifications	041199007	041199807	070025004
Length	2.2 in. (5.6 cm)	2.2 in. (5.6 cm)	2.2 in. (5.6 cm)
Maximum Width	9.4 in. (23.9 cm)	9.4 in. (23.9 cm)	10.4 in. (26.4 cm)
Outside Diameter	7.0 in. (17.8 cm)	7.0 in. (17.8 cm)	8.0 in. (20.3 cm)
Mounting Hole Size	8.3 in. (21.1 cm)	8.3 in. (21.1 cm)	9.3 in. (23.6 cm)
Weight	2.5 lbs (1.1 kg)	2.5 lbs (1.1 kg)	1.8 lbs (0.8 kg)

Dynacell Series

Dynacell Series

Dynacell air cleaners are recommended for engine driven generator sets, pumps, compressors and other similar applications where high efficiency and a low profile are required. Heavy service applications include off-highway and logging trucks, agricultural tractor & graders, as well as construction and mining equipment. Extra heavy service applications include

- Air flow rate from 250 to 1470 CFM.
- Horizontal or vertical installation.
- With or without pre-cleaner.
- Gravity bleed or positive pressure.
- With or without safety.
- Outlet in the center of the pan.



T-512

Specifications	058447000	060039000	066386002	066401002
Max Flow Rate	600 cfm (17.0 cmm)	500 cfm (14.2 cmm)	425 cfm (12.0 cmm)	425 cfm (12.0 cmm)
Positive Pressure	No	No	No	No
Gravity Bleed	No	No	Horizontal	Vertical
Safety Element	No	060236000	No	No
Element	049261000	049261000	049261000	049261000
Outlet Size	5.0 in. (12.7 cm)	5.0 in. (12.7 cm)	5.0 in. (12.7 cm)	5.0 in. (12.7 cm)
Height	5.0 in. (12.7 cm)	7.7 in. (19.6 cm)	11.3 in. (28.7 cm)	11.7 in. (29.7 cm)
Width	11.5 in. (29.2 cm)	11.6 in. (29.5 cm)	11.7 in. (29.7 cm)	11.3 in. (28.7 cm)
Length	15.0 in. (38.1 cm)	15.1 in. (38.4 cm)	15.1 in. (38.4 cm)	15.1 in. (38.4 cm)
Weight	19.0 lbs (8.6 kg)	53.0 lbs (23.9 kg)	55.0 lbs (24.8 kg)	55.0 lbs (24.8 kg)

Dynacell Series



F

T-512

Part Number	Outlet Size	Weight
058447000	5.0 in. (12.7 cm) Outlet	60.5 lbs (27.2 kg)
060039000	5.0 in. (12.7 cm) Outlet w/Safety	60.5 lbs (27.2 kg)
066386002	5.0 in. (12.7 cm) Outlet h/Grav Bld	53.0 lbs (23.9 kg)
066401002	5.0 in. (12.7 cm) Outlet v/Grav Bld	55.0 lbs (23.9 kg)
066386003	5.0 in. (12.7 cm) Outlet h/Grav Bld/Safety	60.5 lbs (27.2 kg)
066401003	5.0 in. (12.7 cm) Outlet v/Grav Bld/Safety	60.5 lbs (27.2 kg)
066417002	5.0 in. (12.7 cm) Outlet h/Pos Pres Bld	53.0 lbs (23.9 kg)
066430002	5.0 in. (12.7 cm) Outlet v/Pos Pres Bld	55.0 lbs (23.9 kg)
066417003	5.0 in. (12.7 cm) Outlet h/Pos Pres w/Safety	60.5 lbs (27.2 kg)

T-519

Part Number	Outlet Size	Weight
058447000	5.0 in. (12.7 cm) Outlet	60.5 lbs (27.2 kg)
060039000	5.0 in. (12.7 cm) Outlet w/Safety	60.5 lbs (27.2 kg)
066386002	5.0 in. (12.7 cm) Outlet h/Grav Bld	53.0 lbs (23.9 kg)
066401002	5.0 in. (12.7 cm) Outlet v/Grav Bld	55.0 lbs (23.9 kg)
066386003	5.0 in. (12.7 cm) Outlet h/Grav Bld/Safety	60.5 lbs (27.2 kg)
066401003	5.0 in. (12.7 cm) Outlet v/Grav Bld/Safety	60.5 lbs (27.2 kg)
066417002	5.0 in. (12.7 cm) Outlet h/Pos Pres Bld	53.0 lbs (23.9 kg)
066430002	5.0 in. (12.7 cm) Outlet v/Pos Pres Bld	55.0 lbs (23.9 kg)
066417003	5.0 in. (12.7 cm) Outlet h/Pos Pres w/Safety	60.5 lbs (27.2 kg)
066430003	5.0 in. (12.7 cm) Outlet v/Pos Pres w/Safety	60.5 lbs (27.2 kg)

Dynacell Series

T-528

Part Number	Outlet Size	Weight
060144000	6.0 in. (15.2 cm) Outlet	53.0 lbs (23.9 kg)
060040000	6.0 in. (15.2 cm) Outlet w/Safety	53.0 lbs (23.9 kg)
066386005	6.0 in. (15.2 cm) Outlet h/Grav Bld	53.0 lbs (23.9 kg)
066401005	6.0 in. (15.2 cm) Outletv/Grav Bld	53.0 lbs (23.9 kg)
066386006	6.0 in. (15.2 cm) Outlet h/Grav Bld/Safety	60.5 lbs (27.2 kg)
066401006	6.0 in. (15.2 cm) Outlet v/Grav Bld/Safety	60.5 lbs (27.2 kg)
066417005	6.0 in. (15.2 cm) Outlet h/Pos Pres Bld	52.0 lbs (23.4 kg)
066430005	6.0 in. (15.2 cm) Outlet v/Pos Pres Bld	52.0 lbs (23.4 kg)
066417006	6.0 in. (15.2 cm) Outlet h/Pos Pres Bld/Safety	60.5 lbs (27.2 kg)
066430006	6.0 in. (15.2 cm) Outlet v/Pos Pres Bld/Safety	60.5 lbs (27.2 kg)
060146000	7.0 in. (17.7 cm) Outlet	72.0 lbs (32.4 kg)
060147000	7.0 in. (17.7 cm) Outlet w/Safety	106 lbs (47.7 kg)
066386008	7.0 in. (17.7 cm) Outlet h/Grav Bld	72.0 lbs (32.4 kg)
066430009	7.0 in. (17.7 cm) Outlet v/Pos Bld/Safety	106 lbs (47.7 kg)
066430008	7.0 in. (17.7 cm) Outlet v/Grav Bld/Safety	106 lbs (47.7 kg)
066386009	7.0 in. (17.7 cm) Outlet h/Grav Bld/Safety	106 lbs (47.7 kg)
066417008	7.0 in. (17.7 cm) Outlet h/Pos Press Bld	72.0 lbs (32.4 kg)
066417009	7.0 in. (17.7 cm) Outlet h/Pos Press Bld/Safety	106 lbs (47.7 kg)

Dynacell T-Series Elements



F

Specifications	016411000	049261000	045800000	051800000
Housing	T-508	T-512	T-519	T-528
Width	19.0 in. (48.2 cm)	11.5 in. ()	19.0 in. (48.2 cm)	28.5 in. (72.4 cm)
Height	5.0 in. (12.7 cm)	5.0 in. (12.7 cm)	5.0 in. (12.7 cm)	5.0 in. (12.7 cm)
Length	19.0 in. (48.2 cm)	15.0 in. (38.1 cm)	19.0 in. (48.2 cm)	19.0 in. (48.2 cm)
Weight	3.0 lbs (1.4 kg)	9.0 lbs (4.1 kg)	18.0 lbs (8.1 kg)	24.0 lbs (10.8 kg)

Specifications	048976000	049812000	060236000	060237000
Housing	T-519-D	T-528-D	T-512	T-519
Width	19.0 in. (48.2 cm)	28.5 in. (72.4 cm)	10.8 in. (27.4 cm)	14.8 in. (37.6 cm)
Height	5.0 in. (12.7 cm)	5.0 in. (12.7 cm)	1.6 in. (4.1 cm)	2.7 in. (6.9 cm)
Length	19.0 in. (48.2 cm)	19.0 in. (48.2 cm)	9.4 in. (23.9 cm)	16.9 in. (42.9 cm)
Weight	18.0 lbs (8.1 kg)	24.0 lbs (10.8 kg)	2.5 lbs (1.1 kg)	5.3 lbs (2.4 kg)

Specifications	060238000	052711000	060799000
Housing	T-528	T-520-DR	T-529-DR
Width	20.8 in. (52.8 cm)	19.5 in. (49.5 cm)	29.5 in. (74.9 cm)
Height	16.9 in. (42.9 cm)	19.5 in. (49.5 cm)	19.0 in. (48.3 cm)
Depth	3.0 in. (7.6 cm)	5.3 in. (13.5 cm)	5.4 in. (13.7 cm)
Weight	6.5 lbs (2.9 kg)	19.0 lbs (8.6 kg)	24.0 lbs (10.8 kg)

Dynacell Series

Specifications	099930001	099930002	099930003
Housing	RC-250	RC-300	RC-150
Width	5.3 in. (13.5 cm)	5.3 in. (13.5 cm)	5.3 in. (13.5 cm)
Height	14.0 in. (35.8 cm)	14.0 in. (35.8 cm)	14.0 in. (35.8 cm)
Length	36.1 in. (91.7 cm)	45.1 in. (114.6 cm)	22.5 in. (57.2 cm)
Weight	12.5 lbs (5.6 kg)	21.5 lbs (9.7 kg)	26.5 lbs (11.9 kg)

T-Series Gravity Discharge Superclone Pre-cleaners

Specifications	049470001	049470002	049470003
Bleed	Horizontal Right Hand	Horizontal Left Hand	Vertical Left Hand
Outlet Size	2.5 in. (6.4 cm)	2.5 in. (6.4 cm)	2.5 in. (6.4 cm)
Width	19.0 in. (48.3 cm)	19.0 in. (48.3 cm)	19.0 in. (48.3 cm)
Height	9.6 in. (24.4 cm)	9.6 in. (24.4 cm)	8.6 in. (21.8 cm)
Depth	6.8 in. (17.3 cm)	6.8 in. (17.3 cm)	6.8 in. (17.3 cm)
Weight	8.0 lbs (3.6 kg)	8.0 lbs (3.6 kg)	8.0 lbs (3.6 kg)

Specifications	049470004	049471001	049471002
Bleed	Horizontal Right Hand	Horizontal, Right Hand	Horizontal, Left Hand
Outlet Size	2.5 in. (6.4 cm)	2.0 in. (5.1 cm)	2.0 in. (5.1 cm)
Width	19.0 in. (48.3 cm)	11.5 in. (29.2 cm)	11.5 in. (29.2 cm)
Height	8.6 in. (21.8 cm)	9.1 in. (23.1 cm)	9.1 in. (23.1 cm)
Depth	6.8 in. (17.3 cm)	6.8 in. (17.3 cm)	6.8 in. (17.3 cm)
Weight	8.0 lbs (3.6 kg)	4.0 lbs (1.8 kg)	4.0 lbs (1.8 kg)

Specifications	049471003	049471004	051793001
Bleed	Vertical, Left Hand	Vertical, Right Hand	Horizontal Dual Bleed
Outlet Size	2.5 in. (6.4 cm)	2.0 in. (5.1 cm)	2.7 in. (6.9 cm)
Width	19.0 in. (48.3 cm)	11.5 in. (29.2 cm)	28.5 in. (72.4 cm)
Height	8.1 in. (20.6 cm)	8.1 in. (20.6 cm)	5.7 in. (14.5 cm)
Depth	6.8 in. (17.3 cm)	6.8 in. (17.3 cm)	6.8 in. (17.3 cm)
Weight	8.0 lbs (3.6 kg)	4.0 lbs (1.8 kg)	16.0 lbs (7.2 kg)

Positive Pressure Superclones



F

T-512

Specifications	060095001	060095002	061334001	061334002
Air Flow Rate	250-500 cfm (7.1-14.2 cmm)	250-500 cfm (7.1-14.2 cmm)	550-1000 cfm (15.6-28.3 cmm)	550-1000 cfm (15.6-28.3 cmm)
Bleed Connection 1/2" NPT	Horizontal Right Hand	Horizontal Left Hand	Vertical Left Hand	Vertical Right Hand
Comp Air Nozzel	060876000			
Outlet Size	2.0 in. (5.1 cm)	2.0 in. (5.1 cm)	1.5 in. (3.8 cm)	1.5 in. (3.8 cm)
Width	11.5 in. (29.2 cm)	11.5 in. (29.2 cm)	11.5 in. (29.2 cm)	11.5 in. (29.2 cm)
Height	8.9 in. (22.6 cm)	8.9 in. (22.6 cm)	8.9 in. (22.6 cm)	8.9 in. (22.6 cm)
Depth	6.8 in. (17.3 cm)	6.8 in. (17.3 cm)	6.8 in. (17.3 cm)	6.8 in. (17.3 cm)
Weight	5.0 lbs (2.3 kg)	5.0 lbs (2.3 kg)	6.0 lbs (2.7 kg)	6.0 lbs (2.7 kg)

Dynacell Series

T-519

Specifications	060096001	060096002	061335001	061335002
Air Flow Rate	500-1000 cfm (14.2-28.3 cmm)	500-1000 cfm (14.2-28.3 cmm)	500-1000 cfm (14.2-28.3 cmm)	500-1000 cfm (14.2-28.3 cmm)
Bleed Connection 1/2" NPT	Horizontal Right Hand	Horizontal Left Hand	Vertical Right Hand	Vertical Left Hand
Comp Air Nozzel	060876000			
Outlet Size	2.0 in. (5.1 cm)	2.0 in. (5.1 cm)	2.0 in. (5.1 cm)	2.0 in. (5.1 cm)
Width	19.0 in. (48.3 cm)	19.0 in. (48.3 cm)	19.0 in. (48.3 cm)	19.0 in. (48.3 cm)
Height	8.9 in. (22.6 cm)	8.9 in. (22.6 cm)	8.9 in. (22.6 cm)	8.9 in. (22.6 cm)
Depth	6.8 in. (17.3 cm)	6.8 in. (17.3 cm)	6.8 in. (17.3 cm)	6.8 in. (17.3 cm)
Weight	9.0 lbs (4.1 kg)	9.0 lbs (4.1 kg)	10.0 lbs (4.5 kg)	10.0 lbs (4.5 kg)

T-528

Specifications	061336001	061336002
Air Flow Rate	1050 cfm (29.7 cmm)	1050 cfm (29.7 cmm)
Bleed Connection 1/2" NPT	Vertical Left Hand	Vertical Right Hand
Comp Air Nozzel	060876000	
Outlet Size	2.0 in. (5.1 cm)	2.0 in. (5.1 cm)
Width	28.5 in. (72.4 cm)	28.5 in. (72.4 cm)
Height	5.7 in. (14.5 cm)	5.7 in. (14.5 cm)
Depth	6.8 in. (17.8 cm)	6.8 in. (17.8 cm)
Weight	17.0 lbs (7.7 kg)	17.0 lbs (7.7 kg)

Dynacell Accessories



F

Part Number	Dynacell	Wieght
049890001	T-512 Filter Strap	1.0 lbs (0.5 kg)
049890003	T-519 Filter Strap	1.5 lbs (0.7 kg)
051799000	T-528 Filter Strap	2.2 lbs (1.0 kg)
049891000	Dynacell Clamping Bracket	0.5 lbs (0.2 kg)
050073000	Locator Angle	0.2 lbs (0.1 kg)
051884001	T-512 Retaining Frame	1.5 lbs (0.7 kg)
051884002	T-519 Retaining Frame	2.0 lbs (0.9 kg)
051884003	T-528 Retaining Frame	2.5 lbs (1.1 kg)
059599001	T-512 Sealing Frame	1.5 lbs (0.7 kg)
059599002	T-519 Sealing Frame	2.0 lbs (0.9 kg)
059599003	T-528 Sealing Frame	2.5 lbs (1.1 kg)
043910203	Bolt 5/16"	0.1 lbs (0.0 kg)
038105007	Flange Nut 5/16"	0.1 lbs (0.0 kg)
035588000	T-512 Bleed Valve	0.5 lbs (0.2 kg)
049780000	T-519 / T-528 Bleed Valve	0.5 lbs (0.2 kg)
050727000	Vibration Isolator For T-512, T-519 and T-528	0.7 lbs (0.3 kg)

Washable Filters

Air Filter Replacements

Parker Hannifin Corporation, Racor Division guarantees that each new Long Life Air Filter Element will provide a minimum of Twice The Life service compared to a conventional pleated paper type air filter element, if it is installed properly and serviced according to the manufacturer's recommended procedures.

If any Long Life Air Filter element fails to provide you with at least (Twice The Life) of a leading conventional pleated paper type air filter element, Racor will replace the air filter, free of charge.

Long life filters use a multi staged depth media with oil impregnated cotton gauze, to be sandwiched between pleated epoxy coated aluminum wire-mesh, and a molded polyurethane sealing surfaces.

- Holds up to 8 times more contaminants than conventional paper filters.
- Provides a minimum of twice the service life of conventional paper filters.
- Increase fuel economy due to lower initial restriction.
- Prevents corrosion by repelling water.



AF M81xx Series



AF M80xx Series



AFM82006
Air Filter Cleaning Kit

Washable Filters

Washable & Reusable

Racor offers direct replacements for the intake air filter portion of competitive air filters & silencers. Also available is the replacement element for the vacuum limiter air separator.

The filter media for all replacement filters is an oil-impregnated cotton gauze and is sandwiched between pleated, epoxy-coated aluminum wire-mesh polyurethane sealed surfaces. This product is cleanable and must be oiled before re-using



F

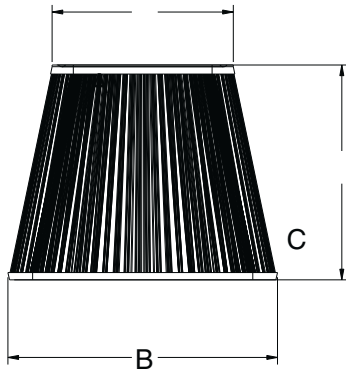
Specifications	AFTFP2062-1	AFTRD1690	AFTFP2056
Application	Chevrolet Air Filter Flat Panel	Chevrolet Air Filter	Air Filter-Dodge Cummins T/d
Description	Turbo/Non Turbo	Turbo/Non Turbo	Ram 1500, 2500, 3500, Turbo
Year	1993 - 1996	1992 - 1995	1994 - 2002
Engine	6.5L V8 Diesel	6.5L V8, 6.2L V8 Diesel	5.9L L6 Diesel

Specifications	AFTRD1023	AFTRD1946	AFTRD1460
Application	Air Filter-Dodge Cummins P/U	Air Filter, Ford F Series P/U	Air Filter, Ford
Description	Turbo	Turbo	Turbo/Non Turbo
Year	1989 - 1993	1994 - 1998	1994 - 1996
Engine	5.9L L6 Diesel	7.3L V8 Diesel	7.3L V8 Diesel

Washable Filters

Washable Filters

- Directly replaces competitive service elements.
- Marine Direct Replacements.



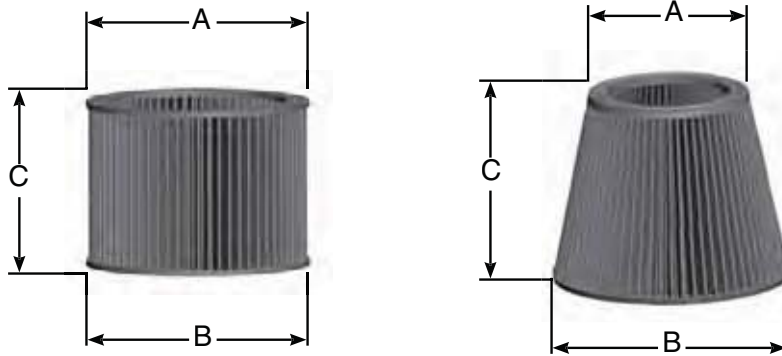
Specifications	AF M8010*	AF M8021	AF M8025
Diameter	A	2.2 in. (5.6 cm)	5.1 in. (13.0 cm)
	B	3.0 in. (7.6 cm)	7.5 in. (19.1 cm)
Height	C	3.2 in. (8.1 cm)	6.0 in. (15.2 cm)
Walker Part #	CD180	CD194	CD125

* Air Separator Element

Specifications	AF M8026	AF M8033	AF M8034
Diameter	A	5.1 in. (13.0 cm)	6.9 in. (17.5 cm)
	B	7.5 in. (19.1 cm)	9.0 in. (22.9 cm)
Height	C	10.0 in. (25.4 cm)	12.0 in. (30.5 cm)
Walker Part #	CD190	CD197	CD196

Specifications	AF M8037	AF M8047
Diameter	A	6.9 in. (17.5 cm)
	B	9.0 in. (22.9 cm)
Height	C	14.0 in. (35.6 cm)
Walker Part #	CD184	CD185

Washable Filters



F

Walker Part #		CD169	CD170	CD173
Diameter	A	16.0 in. (40.6 cm)	10.0 in. (25.4 cm)	7.5 in. (19.1 cm)
Diameter	B	16.0 in. (40.6 cm)	10.0 in. (25.4 cm)	7.5 in. (19.1 cm)
Height	C	16.0 in. (40.6 cm)	8.0 in. (20.3 cm)	5.0 in. (12.7 cm)
Racor Part #		N/A	AF M8145	N/A

Walker Part #		CD174	CD175	CD176
Diameter	A	7.5 in. (19.1 cm)	7.5 in. (19.1 cm)	7.5 in. (19.1 cm)
Diameter	B	7.5 in. (19.1 cm)	7.5 in. (19.1 cm)	7.5 in. (19.1 cm)
Height	C	6.0 in. (15.2 cm)	7.0 in. (17.8 cm)	8.0 in. (20.3 cm)
Racor Part #		AF M8121	AF M8122	AF M8123

Walker Part #		CD177	CD178	CD180
Diameter	A	7.5 in. (19.1 cm)	7.5 in. (19.1 cm)	3.0 in. (7.6 cm)
Diameter	B	7.5 in. (19.1 cm)	7.5 in. (19.1 cm)	3.0 in. (7.6 cm)
Height	C	9.0 in. (22.9 cm)	10.0 in. (25.4 cm)	3.0 in. (7.6 cm)
Racor Part #		AF M8124	AF M8126	AF M8010

Washable Filters



Competitive Part Numbers	Racor Part Numbers	Dimensions (D x H x W)
CD187	AF M8156	12 x 10 x 12
CD189	N/A	12 x 14 x 12
CD190	AF M8026	7.5 x 10 x 5.125
CD194	AF M8021	7.5 x 6 x 5.125
CD195	AF M8025	7.5 x 8 x 5.125
CD196	AF M8034	9 x 9
CD197	AF M8033	9 x 12
CD200	AF M8134	9 x 9 x 9
CD201	AF M8133	9 x 12 x 9
CD202	AF M8141	10 x 6 x 10
CD203	AF M8151	12 x 6 x 12
CD204	AF M8155	12 x 8 x 12
Detroit Diesel PN.		
23508033	AF M8033	12" Filter
23508034	AF M8034	9" Filter

DU, DR and NX Series

A majority of on highway trucks, buses, emergency vehicles, and motor coaches utilize air braking systems. A compressor delivers pressurized air to a reservoir or tank on the vehicle. The compressed air contains atmospheric water vapor, which must be removed. If not removed, the vapor will condense and collect in the reservoir or in other components in the braking system. This water can cause corrosion in the braking system, and can freeze in cold climates, rendering the brakes inoperable. Vehicles with air brakes require an air drying system to remove the water vapor before the compressed air enters the brake system reservoir.

Racor has teamed up with Nabtesco Corporation to provide a full line of proven high quality compressed air drying systems. The Racor/Nabtesco air dryers utilize a proprietary high performance desiccant that is more durable and has better moisture removing capacity than competitive systems. Racor offers six sizes to assure the correct air dryer is available for your application. See chart on back for more details.

Benefits

- Removes moisture to help with the normal operation of pneumatic equipment
- Heater available with all models
- Automatic regeneration of desiccant
- 2.0mm high-performance desiccant is standard in all models (1.6mm on DU-4)
- Integral governor and check valve (except DR-6 model)
- Integral purge chamber
- Prevents accumulation of moisture which can freeze during winter or in cold climate operation
- Rugged and reliable



Air Dryers

Overview



Specifications	DU-4	DU-3 (Standard)	DU-3 (Extended)	DU-5	DR-6	NX-65
Application	Class 6 and under (also for air suspension, hydraulic brake system), GVW less than 26,000 lbs	Class 7, GVW from 26,001 to 33,000 lbs	Class 7, GVW from 26,001 to 33,000 lbs	Class 8, GVW from 33,001 to 44,000 lbs	Class 8, GVW greater than 44,001	For all applications
Inlet/Outlet Ports	1/2" NPTF	1/2" NPTF	1/2" NPTF	1/2" NPTF	1/2" NPTF	1/2" NPTF
Standard Flow per Cycle*	3,051 in. ³ (50L)	6,041 in. ³ (99L)	9,459 in. ³ (155L)	11,594 in. ³ (190L)	24,409 in. ³ (400L)	26,850 in. ³ (440L)**
Desiccant Weight (1.6mm standard)	0.4 lbs (0.2 kg)	1.1 lbs (0.5 kg)	1.1 lbs (0.5 kg)	2.4 lbs (1.1 kg)	4.0 lbs (1.8 kg)	1.8 lbs (0.8 kg)
Regenerate Time Required	30 seconds	50 seconds	40 seconds	50 seconds	60 seconds	60 seconds
Purge Chamber Capacity	61 in. ³ (1.0L)	85 in. ³ (1.4L)	85 in. ³ (1.4L)	165 in. ³ (2.7L)	208 in. ³ (3.4L)	183 in. ³ (3.0L)
Height	11.9 in. (30.1 cm)	12.8 in. (32.4 cm)	13.4 in. (34.0 cm)	14.9 in. (38.0 cm)	13.7 in. (34.9 cm)	12.8 in. (32.6 cm)
Width	6.32 in. (16.1 cm)	7.1 in. (18.1 cm)	7.1 in. (18.1 cm)	8.8 in. (22.3 cm)	9.8 in. (24.8 cm)	7.5 in. (19.0 cm)
Approx. Weight	7.9 lbs (3.6 kg)	12.3 lbs (5.6 kg)	12.3 lbs (5.6 kg)	21.1 lbs (9.6 kg)	30.1 lbs (13.7 kg)	19.8 lbs (9.0 kg)
Also Included:						
Heater (12V)	yes (70W)	yes (70W)	yes (70W)	yes (70W)	yes (100W)	yes (70W)
Purge Chamber	yes	yes	yes	yes	yes	yes
Pressure Governor	yes	yes	yes	yes	no	yes
Check Valve	yes	yes	yes	yes	no	yes
Silencer	no	no	no	no	no	yes
Governor Cut-Out Pressure	100-129 PSI (6.9-8.9 bar)	100-129 PSI (6.9-8.9 bar)	100-129 PSI (6.9-8.9 bar)	100-139 PSI (6.9-9.6 bar)	139 PSI*** (9.6 bar)	116-174 PSI (8-12 bar)
Governor Differential Pressure	14.5 PSI (1.0 bar) 18.8 PSI (1.3 bar)	14.5 PSI (1.0 bar) 18.8 PSI (1.3 bar)	14.5 PSI (1.0 bar) 18.8 PSI (1.3 bar)	14.5 PSI (1.0 bar) 18.8 PSI (1.3 bar)	N/A	13 PSI (0.9 bar) 29 PSI (2.0 bar)
Air Reservoir Volume	13 gal (at 14.5 PSI) 10 gal (at 18.8 PSI)	26 gal (at 14.5 PSI) 20 gal (at 18.8 PSI)	40 gal (at 14.5 PSI) 31 gal (at 18.8 PSI)	50 gal (at 14.5 PSI) 38 gal (at 18.8 PSI)	N/A	depends on governor diff. PSI
Amb. Temp. Range	-22°F to +158°F (-30°C to +70°C)					

Note: *Inlet temperature at 140°F (60°C)

**Governor cut-out pressure 159 PSI (11 bar)

***Applicable pressure

Air Accessories

Air accessories include all parts that are used in assemblies, filters, units and elements for Racor products. The Racor lineup includes heavy-duty air cleaners and pre-cleaners, marine filter/silencers, cabin air filters and replacement filters. All are super high-efficiency, with engineered, application specific media that improves performance as it extends service life. Whatever your application, there's a Racor Air Filtration System that will help you and your engine breathe easy.



Restriction Indicators



Rubber Elbows and Fittings



**Cleaning Kit
AFM82006**



Hose Clamps



Mounting Clamps

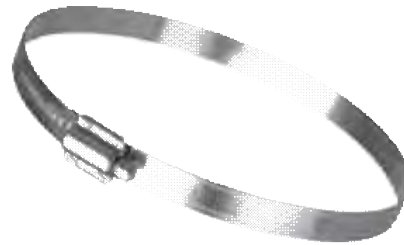
Air Accessories

T-Bolt Clamp



Part Number	Size	Weight
111657004	3.3 in. (8.3 cm) to 3.6 in. (9.1 cm)	0.10 lbs (0.0 kg)
111657006	4.3 in. (10.9 cm) to 4.6 in. (11.6 cm)	0.12 lbs (0.1 kg)
111657008	5.3 in. (13.4 cm) to 5.6 in. (14.2 cm)	0.15 lbs (0.1 kg)
111657009	5.8 in. (14.7 cm) to 6.1 in. (15.4 cm)	0.17 lbs (0.1 kg)
111657010	6.3 in. (16.0 cm) to 6.6 in. (16.7 cm)	0.18 lbs (0.1 kg)
111657011	7.4 in. (18.7 cm) to 7.7 in. (19.5 cm)	0.20 lbs (0.1 kg)
111657012	8.4 in. (21.3 cm) to 8.7 in. (22.0 cm)	0.22 lbs (0.1 kg)
111657013	6.7 in. (17.0 cm) to 7.1 in. (18.0 cm)	0.36 lbs (0.2 kg)
111657014	7.7 in. (19.5 cm) to 8.1 in. (20.5 cm)	0.21 lbs (0.1 kg)
111657015	8.5 in. (21.5 cm) to 8.8 in. (22.3 cm)	0.22 lbs (0.1 kg)
111657016	9.7 in. (24.6 cm) to 10.0 in. (25.4 cm)	0.26 lbs (0.1 kg)

Hose Clamp



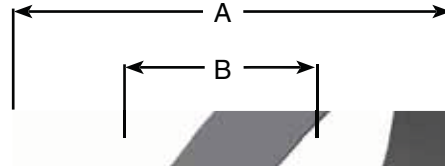
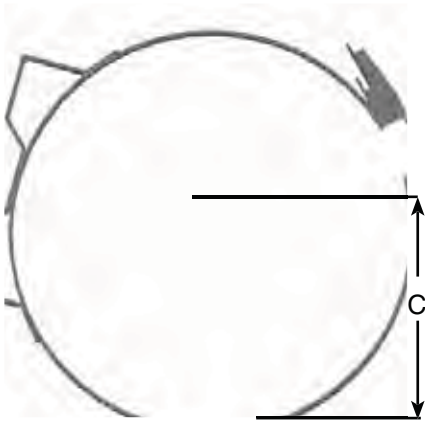
F

Part Number	Size	Weight
004690002 - 004690004	2.1 in. (5.3 cm) to 3.0 in. (7.6 cm)	0.06 lbs (0.0 kg)
004690005	2.6 in. (6.6 cm) to 3.5 in. (8.9 cm)	0.06 lbs (0.0 kg)
004690006	2.8 in. (7.1 cm) to 4.6 in. (11.7 cm)	0.06 lbs (0.0 kg)
004690007	4.6 in. (11.7 cm) to 5.5 in. (14.0 cm)	0.06 lbs (0.0 kg)
004690008	5.1 in. (13.0 cm) to 6.0 in. (15.2 cm)	0.06 lbs (0.0 kg)
004690009	1.2 in. (3.0 cm) to 1.8 in. (4.6 cm)	0.06 lbs (0.0 kg)
004690010	1.1 in. (2.8 cm) to 2.5 in. (6.4 cm)	0.06 lbs (0.0 kg)
004690011	4.1 in. (10.4 cm) to 5.0 in. (12.7 cm)	0.06 lbs (0.0 kg)
004690012	5.6 in. (14.2 cm) to 6.5 in. (16.5 cm)	0.06 lbs (0.0 kg)
004690013	3.1 in. (7.9 cm) to 4.0 in. (10.2 cm)	0.06 lbs (0.0 kg)
004690014	6.1 in. (15.5 cm) to 7.0 in. (17.8 cm)	0.06 lbs (0.0 kg)
004690015	6.9 in. (17.5 cm) to 7.8 in. (19.8 cm)	0.06 lbs (0.0 kg)
004690017	9.1 in. (23.1 cm) to 10.0 in. (25.4 cm)	0.06 lbs (0.0 kg)
004690018	7.6 in. (19.3 cm) to 8.5 in. (21.6 cm)	0.06 lbs (0.0 kg)
004690019	9.9 in. (25.1 cm) to 10.8 in. (27.4 cm)	0.06 lbs (0.0 kg)

Air Accessories

Mounting Clamps

- Installs by matching element diameter.
- For the ECO Series.



Part Number	Dimensions		
	A	B	C
071921001	9.8	4.5	5.5
071921002	11.0	5.0	6.1
071921003	13.5	6.0	7.4
071921004	11.0	5.0	6.1
071921006	15.0	6.0	8.2
099049001	6.9	3.5	5.1
099049002	7.9	3.5	5.6
099049003	9.8	4.5	6.6

Part Number	Description	Weight
071921001	Clamp Powder Coated ECO 10"	1.3 lbs (0.6 kg)
071921002	Clamp Powder Coated ECO 11"	1.4 lbs (0.6 kg)
071921003	Clamp Powder Coated ECO 13"	1.6 lbs (0.7 kg)
071921004	Clamp Powder Coated ECO 11" (90)	1.4 lbs (0.6 kg)
071921006	Clamp Powder Coated ECO 15"	1.6 lbs (0.7 kg)
099049001	Clamp Powder Coated ECO-SE 6.75"	0.6 lbs (0.3 kg)
099049002	Clamp Powder Coated ECO-SE 7.75"	0.7 lbs (0.3 kg)
099049003	Clamp Powder Coated ECO-SE 9.75"	0.8 lbs (0.4 kg)

Note: Two required for installation

Restriction Indicators

- Restrictions from 4 to 25 in. H₂O.
- Direct or remote mount.



90° Fitting



F

Part Number	Range (in H ₂ O vac.)	Description
400033015 ¹	3-15"	Direct Mount
400033020 ¹	4-20"	Direct Mount
400033025 ¹	4-25"	Direct Mount
014440001 ¹	4-25"	Direct Mount with 90° fitting
072604000 ²	4-25"	Remote Mount
076248001 ¹	8-25"	Dash Mount
014439000	4-25"	N/A
039135001	7-25"	Adaptor Kit

¹ Unit standard with a 1/8"-27 NPT straight fitting.

² Unit standard with a 90° coupling and 10' hose.

Filter Monitor

Part Number	Range (in H ₂ O vac.)	Description
500198020	20"	Filter Monitor
500198025	25"	Filter Monitor

Accessories

Part Number	Range (in H ₂ O vac.)	Description
400034000	90 Degree Fitting	Adapts To Straight Fitting

Air Accessories

Inlet Cap

- Installs by matching element diameter.
- Provides straight through connection



Specifications	111810001	111810002	111810003
Diameter	6.8 in. (17.3 cm)	7.8 in. (19.8 cm)	9.8 in. (24.9 cm)
Inlet Size	4.0 in. (12.7 cm)	5.0 in. (12.7 cm)	6.0 in. (15.2 cm)
Slots	Yes	Yes	Yes
Screen	No	No	No
Weight	0.4 lbs (0.2 kg)	0.4 lbs (0.2 kg)	0.4 lbs (0.2 kg)

Specifications	114088001	114088002	114088003
Diameter	6.8 in. (17.3 cm)	7.8 in. (19.8 cm)	9.7 in. (24.6 cm)
Inlet Size	6.4 in. (16.3 cm)	7.4 in. (18.8 cm)	9.4 in. (23.9 cm)
Slots	No	No	No
Screen	Yes	Yes	Yes
Weight	0.3 lbs (0.1 kg)	0.3 lbs (0.1 kg)	0.4 lbs (0.2 kg)

Fittings, Elbows, and Adapters

Low resistance rubber adapters with clamps provide a positive sealing environment, with minimal airflow restriction and easy servicing rubber fittings will save you time and money. Racor rubber air inlet fittings are made of high quality EPDM rubber, and provide minimum airflow restriction between the air cleaner and engine air inlet. The flexibility simplifies both installation and service. Stainless steel adjustable clamps assure a positive seal and ease of service.

F



Air Accessories

Intake Couplings



Specifications	015094009	015094010	015094011	015094012
I.D.	3.5 in. (8.9 cm)	4.0 in. (10.2 cm)	5.5 in. (14.0 cm)	7.0 in. (17.8 cm)
O.D.	4.0 in. (10.2 cm)	4.5 in. (11.4 cm)	6.0 in. (15.2 cm)	7.5 in. (19.0 cm)
Width	5.3 in. (13.5 cm)	5.3 in. (13.5 cm)	6.0 in. (15.2 cm)	7.0 in. (17.8 cm)
Weight	1.0 lbs (0.5 kg)	1.2 lbs (0.5 kg)	1.5 lbs (0.7 kg)	2.5 lbs (1.1 kg)

Specifications	015094017	015094018	015094021	015094039
I.D.	5.0 in. (12.7 cm)	6.0 in. (15.2 cm)	8.0 in. (20.3 cm)	3.0 in. (7.6 cm)
O.D.	5.5 in. (14.0 cm)	6.5 in. (16.5 cm)	8.6 in. (21.8 cm)	3.5 in. (8.9 cm)
Width	6.0 in. (15.2 cm)	6.0 in. (15.2 cm)	8.0 in. (20.3 cm)	5.2 in. (13.2 cm)
Weight	1.5 lbs (0.7 kg)	2.0 lbs (0.9 kg)	4.0 lbs (1.8 kg)	1.0 lbs (0.5 kg)

Specifications	015094040	015094046	015094116	015094117
I.D.	10.0 in. (25.4 cm)	4.5 in. (11.4 cm)	5.0 in. (12.7 cm)	8.0 in. (20.3 cm)
O.D.	10.5 in. (26.7 cm)	5.0 in. (12.7 cm)	5.5 in. (14.0 cm)	8.5 in. (21.6 cm)
Width	6.0 in. (15.2 cm)	6.0 in. (15.2 cm)	4.9 in. (12.4 cm)	5.0 in. (12.7 cm)
Weight	4.0 lbs (1.8 kg)	4.0 lbs (1.8 kg)	4.0 lbs (1.8 kg)	4.0 lbs (1.8 kg)

Hump Hose Reducer



F

Specifications	015094022	015094023	015094024	015094026
I.D.	5.0 in. (12.7 cm) 6.0 in. (15.2 cm)	5.5 in. (14.0 cm) 6.0 in. (15.2 cm)	5.0 in. (12.7 cm) 5.5 in. (14.0 cm)	4.0 in. (10.2 cm) 5.5 in. (14.0 cm)
O.D.	5.5 in. (14.0 cm) 6.5 in. (16.5 cm)	6.0 in. (15.2 cm) 6.5 in. (16.5 cm)	5.5 in. (14.0 cm) 6.0 in. (15.2 cm)	4.5 in. (11.4 cm) 6.0 in. (15.2 cm)
Width	6.0 in. (15.2 cm)	6.0 in. (15.2 cm)	6.0 in. (15.2 cm)	6.0 in. (15.2 cm)
Weight	1.9 lbs (0.9 kg)	2.0 lbs (0.9 kg)	1.7 lbs (0.8 kg)	2.0 lbs (0.9 kg)

Specifications	015094027	015094031	015094032	015094037
I.D.	3.0 in. (7.6 cm) 3.5 in. (8.9 cm)	5.5 in. (14.0 cm) 7.0 in. (17.8 cm)	7.0 in. (17.8 cm) 8.0 in. (20.3 cm)	5.0 in. (12.7 cm) 7.0 in. (17.8 cm)
O.D.	3.5 in. (8.9 cm) 4.0 in. (10.2 cm)	6.0 in. (15.2 cm) 7.5 in. (19.1 cm)	7.5 in. (19.1 cm) 8.5 in. (21.6 cm)	5.5 in. (14.0 cm) 7.5 in. (19.1 cm)
Width	6.0 in. (15.2 cm)	7.0 in. (17.8 cm)	5.0 in. (12.7 cm)	7.0 in. (17.8 cm)
Weight	2.0 lbs (0.9 kg)	5.0 lbs (2.3 kg)	4.5 lbs (2.0 kg)	1.9 lbs (0.9 kg)

Air Accessories

Hose Reducer

Specifications	015094045	015094060	015094061	015094062
I.D.	6.0 in. (15.2 cm) 7.0 in. (17.8 cm)	2.5 in. (6.4 cm) 3.0 in. (7.6 cm)	3.0 in. (7.6 cm) 4.0 in. (10.2 cm)	8.0 in. (20.3 cm) 10.0 in. (25.4 cm)
O.D.	6.5 in. (16.5 cm) 7.5 in. (19.1 cm)	3.0 in. (7.6 cm) 3.5 in. (8.9 cm)	3.5 in. (8.9 cm) 4.5 in. (11.4 cm)	8.5 in. (21.6 cm) 10.5 in. (26.7 cm)
Width	6.0 in. (15.2 cm)	6.0 in. (15.2 cm)	5.3 in. (13.5 cm)	6.0 in. (15.2 cm)
Weight	4.0 lbs (1.8 kg)	4.0 lbs (1.8 kg)	4.0 lbs (1.8 kg)	4.5 lbs (2.0 kg)

Specifications	015094065	015094073	015094086	015094092
I.D.	4.0 in. (10.2 cm) 5.0 in. (12.7 cm)	4.0 in. (10.2 cm) 4.5 in. (11.4 cm)	5.5 in. (14.0 cm) 8.0 in. (20.3 cm)	6.0 in. (15.2 cm) 8.0 in. (20.3 cm)
O.D.	4.5 in. (11.4 cm) 5.5 in. (14.0 cm)	4.5 in. (11.4 cm) 5.0 in. (12.7 cm)	6.0 in. (15.2 cm) 8.5 in. (21.6 cm)	6.5 in. (16.5 cm) 8.5 in. (21.6 cm)
Width	6.0 in. (15.2 cm)	6.0 in. (15.2 cm)	7.0 in. (17.8 cm)	6.0 in. (15.2 cm)
Weight	1.9 lbs (0.9 kg)	1.9 lbs (0.9 kg)	4.0 lbs (1.8 kg)	4.0 lbs (1.8 kg)

Specifications	015094105	015094106	015094111	015094113
I.D.	3.5 in. (8.9 cm) 4.0 in. (10.2 cm)	4.0 in. (10.2 cm) 6.0 in. (15.2 cm)	2.8 in. (7.1 cm) 3.0 in. (7.6 cm)	2.8 in. (7.1 cm) 4.0 in. (10.2 cm)
O.D.	4.0 in. (10.2 cm) 4.5 in. (11.4 cm)	4.5 in. (11.4 cm) 6.5 in. (16.5 cm)	3.3 in. (8.4 cm) 3.5 in. (8.9 cm)	3.3 in. (8.4 cm) 4.5 in. (11.4 cm)
Width	5.3 in. (13.5 cm)	6.0 in. (15.2 cm)	3.5 in. (8.9 cm)	4.0 in. (10.2 cm)
Weight	1.2 lbs (0.5 kg)	2.9 lbs (1.3 kg)	1.2 lbs (0.5 kg)	1.9 lbs (0.9 kg)

Specifications	015094114	015094115
I.D.	2.5 in. (6.4 cm) 3.5 in. (8.9 cm)	2.4 in. (6.1 cm) 3.0 in. (7.6 cm)
O.D.	3.0 in. (7.6 cm) 4.0 in. (10.2 cm)	2.9 in. (7.4 cm) 3.5 in. (8.9 cm)
Width	6.0 in. (15.2 cm)	7.0 in. (17.8 cm)
Weight	1.9 lbs (0.9 kg)	1.9 lbs (0.9 kg)



Insert Sleeves



F

Specifications	015094036	015094043	015094064	015094072
I.D.	5.0 in. (12.7 cm)	5.5 in. (14.0 cm)	5.0 in. (12.7 cm)	4.0 in. (10.2 cm)
O.D.	5.5 in. (14.0 cm)	5.0 in. (12.7 cm)	5.0 in. (12.7 cm)	5.0 in. (12.7 cm)
Width	1.8 in. (4.6 cm)	1.8 in. (4.6 cm)	1.8 in. (4.6 cm)	1.8 in. (4.6 cm)
Weight	1.9 lbs (0.9 kg)	1.9 lbs (0.9 kg)	1.9 lbs (0.9 kg)	1.9 lbs (0.9 kg)

Specifications	015094080	015094081	015094082	015094089
I.D.	3.0 in. (7.6 cm)	6.0 in. (15.2 cm)	8.0 in. (20.3 cm)	2.8 in. (7.1 cm)
O.D.	4.0 in. (10.2 cm)	7.0 in. (17.8 cm)	9.0 in. (22.9 cm)	4.0 in. (10.2 cm)
Width	1.8 in. (4.6 cm)	1.8 in. (4.6 cm)	1.8 in. (4.6 cm)	1.8 in. (4.6 cm)
Weight	1.9 lbs (0.9 kg)	4.0 lbs (1.8 kg)	4.0 lbs (1.8 kg)	4.0 lbs (1.8 kg)

Specifications	015094094	015094096	015094102	015094103	015094104
I.D.	2.3 in. (5.8 cm)	6.3 in. (16.0 cm)	4.5 in. (11.4 cm)	4.0 in. (10.2 cm)	4.0 in. (10.2 cm)
O.D.	2.5 in. (6.4 cm)	7.0 in. (17.8 cm)	5.0 in. (12.7 cm)	5.5 in. (14.0 cm)	4.5 in. (11.4 cm)
Width	1.8 in. (4.6 cm)	1.8 in. (4.6 cm)	1.8 in. (4.6 cm)	1.8 in. (4.6 cm)	1.8 in. (4.6 cm)
Weight	1.2 lbs (0.5 kg)	4.0 lbs (1.8 kg)	4.0 lbs (1.8 kg)	4.0 lbs (1.8 kg)	4.0 lbs (1.8 kg)

Air Accessories

Sleeves



Specifications	015094047	015094048	015094049	015094050
I.D.	2.8 in. (7.1 cm)	3.5 in. (8.9 cm)	3.5 in. (8.9 cm)	4.8 in. (12.2 cm)
O.D.	3.2 in. (8.1 cm)	4.0 in. (10.2 cm)	4.0 in. (10.2 cm)	5.1 in. (13.0 cm)
Width	2.4 in. (6.1 cm)	2.5 in. (6.1 cm)	3.0 in. (7.6 cm)	3.2 in. (8.1 cm)
Weight	1.2 lbs (0.5 kg)	N/A	1.9 lbs (0.9 kg)	N/A

Specifications	015094051	015094052	015094053	015094054
I.D.	5.5 in. (14.0 cm)	5.5 in. (14.0 cm)	6.0 in. (15.2 cm)	7.0 in. (17.8 cm)
O.D.	6.0 in. (15.2 cm)	6.0 in. (15.2 cm)	6.5 in. (16.5 cm)	7.5 in. (19.1 cm)
Width	3.8 in. (9.7 cm)	4.0 in. (10.2 cm)	3.5 in. (8.9 cm)	5.0 in. (12.7 cm)
Weight	1.9 lbs (0.9 kg)	1.9 lbs (0.9 kg)	4.0 lbs (1.8 kg)	4.0 lbs (1.8 kg)

Specifications	015094070	015094075	015094076	015094077
I.D.	5.0 in. (12.7 cm)	4.0 in. (10.2 cm)	5.0 in. (12.7 cm)	7.0 in. (17.8 cm)
O.D.	5.5 in. (14.0 cm)	4.5 in. (11.4 cm)	5.5 in. (14.0 cm)	7.5 in. (19.1 cm)
Width	2.5 in. (6.4 cm)	3.5 in. (8.9 cm)	3.5 in. (8.9 cm)	3.5 in. (8.9 cm)
Weight	N/A	4.0 lbs (1.8 cm)	1.9 lbs (0.9 kg)	1.9 lbs (0.9 kg)

Specifications	015094078	015094079	015094095	015094097
I.D.	8.0 in. (20.3 cm)	9.0 in. (22.9 cm)	6.0 in. (15.2 cm)	4.0 in. (10.2 cm)
O.D.	8.5 in. (21.6 cm)	9.5 in. (24.1 cm)	6.5 in. (16.5 cm)	4.5 in. (11.4 cm)
Width	3.5 in. (8.9 cm)	3.5 in. (8.9 cm)	6.5 in. (16.5 cm)	3.0 in. (7.6 cm)
Weight	4.0 lbs (1.8 cm)	4.0 lbs (1.8 cm)	4.0 lbs (1.8 cm)	1.9 lbs (0.9 kg)

Reducing Coupling with Fitting



F

Specifications	125291001	125291002	125291003	125291004
I.D.	7.0 in. (17.8 cm) 5.0 in. (12.7 cm)	7.0 in. (17.8 cm) 5.5 in. (14.0 cm)	7.0 in. (17.8 cm) 6.0 in. (15.2 cm)	6.0 in. (15.2 cm) 5.0 in. (12.7 cm)
O.D.	7.5 in. (19.1 cm) 5.5 in. (14.0 cm)	7.5 in. (19.1 cm) 6.0 in. (15.2 cm)	7.5 in. (19.1 cm) 6.5 in. (16.5 cm)	6.5 in. (16.5 cm) 5.5 in. (14.0 cm)
Width	7.0 in. (17.8 cm)	7.0 in. (17.8 cm)	6.0 in. (15.2 cm)	6.0 in. (15.2 cm)
Steel Plug	1/8" NPTF			
Weight	5.0 lbs (2.3 kg)	5.0 lbs (2.3 kg)	5.0 lbs (2.3 kg)	5.0 lbs (2.3 kg)

Air Accessories

Cobra Head Elbow



Specifications	401079067	401079068	401079074	401079093
I.D.	4.0 in. (10.2 cm) 2.8 in. (7.1 cm)	3.0 in. (7.6 cm) 3.0 in. (7.6 cm)	4.0 in. (10.2 cm) 5.0 in. (12.7 cm)	6.0 in. (15.2 cm) 5.0 in. (12.7 cm)
O.D.	4.5 in. (11.4 cm)	3.5 in. (8.9 cm) 3.5 in. (8.9 cm)	4.6 in. (11.7 cm) 5.6 in. (14.2 cm)	6.6 in. (16.8 cm) 5.6 in. (14.2 cm)
Height	N/A	7.3 in. (18.5 cm)	9.5 in. (24.1 cm)	15.8 in. (40.1 cm)
Weight	4.0 lbs (1.8 kg)	4.0 lbs (1.8 kg)	4.0 lbs (1.8 kg)	4.0 lbs (1.8 kg)

Specifications	401079069	401079071	401079087	401079083	401079090
I.D.	4.0 in. (10.2 cm) 4.0 in. (10.2 cm)	4.0 in. (10.2 cm) 4.0 in. (10.2 cm)	4.0 in. (10.2 cm) 4.0 in. (10.2 cm)	5.0 in. (12.7 cm) 4.0 in. (10.2 cm)	5.0 in. (12.7 cm) 4.0 in. (10.2 cm)
O.D.	4.5 in. (11.4 cm) 4.5 in. (11.4 cm)	4.5 in. (11.4 cm) 4.5 in. (11.4 cm)	4.5 in. (11.4 cm) 4.5 in. (11.4 cm)	5.5 in. (14.0 cm) 4.5 in. (11.4 cm)	5.5 in. (14.0 cm) 4.5 in. (11.4 cm)
Height	9.1 in. (23.1 cm)	9.1 in. (23.1 cm)	9.7 in. (24.6 cm)	9.7 in. (24.6 cm)	9.0 in. (22.9 cm)
Steel Plug	1/8" NPTF			No	No
Weight	N/A				

90° Elbow



F

Specifications	401403001	401403002	401403003	401403004
I.D.	3.5 in. (8.8 cm) 3.5 in. (8.8 cm)	4.0 in. (10.1 cm) 4.0 in. (10.1 cm)	5.5 in. (13.9 cm) 5.5 in. (13.9 cm)	7.0 in. (17.7 cm) 7.0 in. (17.7 cm)
O.D.	4.0 in. (10.2 cm) 4.0 in. (10.2 cm)	4.5 in. (11.4 cm) 4.5 in. (11.4 cm)	6.0 in. (15.2 cm) 6.0 in. (15.2 cm)	7.6 in. (19.3 cm) 7.6 in. (19.3 cm)
Height	6.9 in. (17.5 cm)	7.8 in. (19.8 cm)	8.8 in. (22.4 cm)	11.1 in. (28.2 cm)
Weight	1.7 lbs (0.8 kg)	2.2 lbs (1.0 kg)	3.9 lbs (1.8 kg)	5.0 lbs 2.3 kg)

Specifications	401403013	401403014	401403019	401403030
I.D.	5.0 in. (12.7 cm) 5.0 in. (12.7 cm)	6.0 in. (15.2 cm) 6.0 in. (15.2 cm)	8.0 in. (20.3 cm) 8.0 in. (20.3 cm)	2.0 in. (5.0 cm) 2.0 in. (5.0 cm)
O.D.	5.5 in. (13.9 cm) 5.5 in. (13.9 cm)	6.5 in. (16.5 cm) 6.5 in. (16.5 cm)	8.8 in. (22.4 cm) 8.8 in. (22.4 cm)	2.4 in. (6.1 cm) 2.4 in. (6.1 cm)
Height	8.6 in. (21.8 cm)	9.8 in. (24.9 cm)	12.5 in. (31.8 cm)	4.5 in. (11.4 cm)
Weight	3.5 lbs (1.6 kg)	1.5 lbs (0.7 kg)	9.0 lbs (4.1 kg)	1.7 lbs (0.8 kg)

Specifications	401403038	401403058	401403063	401403201	401403205
I.D.	3.0 in. (7.6 cm) 3.0 in. (7.6 cm)	2.5 in. (6.4 cm) 2.5 in. (6.4 cm)	10.0 in. (25.4 cm) 10.0 in. (25.4 cm)	4.5 in. (11.4 cm) 4.5 in. (11.4 cm)	6.0 in. (15.2 cm) 6.0 in. (15.2 cm)
O.D.	3.5 in. (8.9 cm) 3.5 in. (8.9 cm)	3.0 in. (7.6 cm) 3.0 in. (7.6 cm)	10.7 in. (27.2 cm) 10.7 in. (27.2 cm)	5.0 in. (12.7 cm) 5.0 in. (12.7 cm)	6.5 in. (16.5 cm) 6.5 in. (16.5 cm)
Height	6.8 in. (17.3 cm)	5.2 in. (13.2 cm)	15.5 in. (39.4 cm)	7.8 in. (19.8 cm)	8.0 in. (20.3 cm)
Weight	1.0 lbs (0.5 kg)	1.0 lbs (0.5 kg)	10.0 lbs (4.5 kg)	2.2 lbs (1.0 kg)	N/A

Air Accessories

90° Reducing Elbow



Specifications	401403025	401403029	401403033	401403035
I.D.	6.0 in. (15.2 cm) 5.5 in. (14.0 cm)	7.0 in. (17.8 cm) 5.5 in. (14.0 cm)	7.0 in. (17.8 cm) 5.0 in. (12.7 cm)	6.0 in. (15.2 cm) 5.0 in. (12.7 cm)
O.D.	6.5 in. (16.5 cm) 6.0 in. (15.2 cm)	7.6 in. (18.3 cm) 6.0 in. (15.2 cm)	7.5 in. (19.1 cm) 5.5 in. (14.0 cm)	6.5 in. (16.5 cm) 5.5 in. (14.0 cm)
Height	9.8 in. (24.9 cm)	9.3 in. (23.6 cm)	10.5 in. (26.7 cm)	10.0 in. (25.4 cm)
Weight	4.5 lbs (2.0 kg)	4.5 lbs (2.0 kg)	4.0 lbs (1.8 kg)	1.9 lbs (0.9 kg)

Specifications	401403041	401403044	401403056	401403057
I.D.	6.0 in. (15.2 cm) 5.0 in. (12.7 cm)	7.0 in. (17.8 cm) 6.0 in. (15.2 cm)	5.0 in. (12.7 cm) 4.0 in. (10.2 cm)	4.0 in. (10.2 cm) 3.0 in. (7.6 cm)
O.D.	6.5 in. (16.5 cm) 5.5 in. (14.0 cm)	7.8 in. (19.8 cm) 6.8 in. (17.3 cm)	5.5 in. (14.0 cm) 4.5 in. (11.4 cm)	4.4 in. (11.2 cm) 3.4 in. (8.6 cm)
Height	7.8 in. (19.8 cm)	11.1 in. (28.2 cm)	9.3 in. (23.6 cm)	5.6 in. (14.2 cm)
Weight	5.0 lbs (2.3 kg)	4.0 lbs (1.8 kg)	2.0 lbs (0.9 kg)	2.0 lbs (0.9 kg)

Specifications	401403066	401403091	401403092	401403098
I.D.	4.0 in. (10.2 cm) 3.5 in. (8.9 cm)	7.0 in. (17.8 cm) 6.0 in. (15.2 cm)	8.0 in. (20.3 cm) 7.0 in. (17.8 cm)	4.0 in. (10.2 cm) 3.8 in. (9.7 cm)
O.D.	4.4 in. (11.2 cm) 3.9 in. (9.9 cm)	7.7 in. (19.6 cm) 6.7 in. (17.0 cm)	8.8 in. (22.4 cm) 7.8 in. (19.8 cm)	4.5 in. (11.4 cm) 4.3 in. (10.9 cm)
Height	6.5 in. (16.5 cm)	8.5 in. (21.6 cm)	12.5 in. (31.8 cm)	7.8 in. (19.8 cm)
Weight	4.5 lbs (2.0 kg)	5.0 lbs (2.3 kg)	1.9 lbs (0.9 kg)	1.9 lbs (0.9 kg)

Specifications	401403206	401403207	401403208	401403209	401403219
I.D.	6.0 in. (15.2 cm) 4.0 in. (10.2 cm)	6.0 in. (15.2 cm) 4.0 in. (10.2 cm)	6.0 in. (15.2 cm) 4.0 in. (10.2 cm)	6.0 in. (15.2 cm) 4.0 in. (10.2 cm)	3.0 in. (7.6 cm) 2.4 in. (6.1 cm)
O.D.	6.5 in. (16.5 cm) 4.5 in. (11.4 cm)	6.5 in. (16.5 cm) 4.5 in. (11.4 cm)	6.5 in. (16.5 cm) 4.5 in. (11.4 cm)	6.5 in. (16.5 cm) 4.5 in. (11.4 cm)	3.5 in. (8.9 cm) 2.9 in. (7.4 cm)
Height	9.3 in. (23.6 cm)	7.9 in. (20.1 cm)	7.9 in. (20.1 cm)	9.3 in. (23.6 cm)	4.5 in. (11.4 cm)
Weight	N/A				

45° Elbow



F

Specifications	401403005	401403006	401403007	401403008	401403015
I.D.	3.5 in. (8.9 cm)	4.0 in. (10.2 cm)	5.5 in. (14.0 cm)	7.0 in. (17.8 cm)	5.0 in. (12.7 cm)
O.D.	4.0 in. (10.2 cm)	4.5 in. (11.4 cm)	6.0 in. (15.2 cm)	7.6 in. (19.3 cm)	5.5 in. (14.0 cm)
Weight	1.7 lbs (0.8 kg)	2.2 lbs (1.0 kg)	1.7 lbs (0.8 kg)	3.0 lbs (1.4 kg)	3.5 lbs (1.6 kg)

Specifications	401403016	401403020	401403059	401403202	401403212
I.D.	6.0 in. (15.2 cm)	8.0 in. (20.3 cm)	3.0 in. (7.6 cm)	10.0 in. (25.4 cm)	4.5 in. (11.4 cm)
O.D.	6.5 in. (16.5 cm)	8.8 in. (22.4 cm)	3.5 in. (8.9 cm)	10.6 in. (26.9 cm)	5.0 in. (12.7 cm)
Weight	2.2 lbs (1.0 kg)	9.0 lbs (4.1 kg)	1.0 lbs (0.5 kg)	9.0 lbs (4.1 kg)	1.7 lbs (0.8 kg)

45° Reducing Elbow

Specifications	401403043	401403203	401403213
I.D.	7.0 in. (17.8 cm) 6.0 in. (15.2 cm)	6.0 in. (15.2 cm) 5.0 in. (12.7 cm)	6.0 in. (15.2 cm) 5.5 in. (14.0 cm)
O.D.	7.6 in. (19.3 cm) 6.6 in. (16.8 cm)	6.5 in. (16.5 cm) 5.5 in. (14.0 cm)	6.5 in. (16.5 cm) 6.0 in. (15.2 cm)

Air Accessories

22° Elbow



Specifications	401403034	401403210	401403214
I.D.	5.5 in. (14.0 cm)	6.0 in. (15.2 cm)	4.0 in. (10.2 cm)
O.D.	6.0 in. (15.2 cm)	6.5 in. (16.5 cm)	4.5 in. (11.4 cm)

38° Elbow



Specifications	401403204
I.D.	6.0 in. (15.2 cm)
O.D.	6.5 in. (16.5 cm)

54° Elbow



Specifications	401403216	401403217
I.D.	5.5 in. (14.0 cm)	6.0 in. (15.2 cm)
O.D.	6.0 in. (15.2 cm)	6.5 in. (16.5 cm)

63° Elbow



Specifications	401403220
I.D.	8.0 in. (20.3 cm)
O.D.	8.8 in. (22.4 cm)

F

68° Elbow



Specifications	401403211	401403215	401403218
I.D.	5.5 in. (14.0 cm)	4.5 in. (11.4 cm)	6.0 in. (15.2 cm)
O.D.	6.0 in. (15.2 cm)	5.0 in. (12.7 cm)	6.5 in. (16.5 cm)

68° Reducing Elbow

Specifications	401403055
I.D.	7.0 in. (17.8 cm) 6.0 in. (15.2 cm)
O.D.	7.5 in. (19.1 cm) 6.5 in. (16.5 cm)

Part Number Index

0

PRODUCT	PAGE#
004690002	F103
004690003	F103
004690005	F103
004690006	F103
004690007	F103
004690008	F103
004690009	F103
004690010	F103
004690011	F103
004690012	F103
004690013	F103
004690014	F103
004690015	F103
004690017	F103
004690018	F103
004690019	F103
012233001	F80
012233002	F80
012233003	F80
012233004	F80
012233005	F80
012233006	F80
012233007	F80
012233008	F80
012233009	F80
012233010	F80
012233011	F80
012233012	F80
012233014	F80
012233017	F80
012233018	F80
012233019	F80
014439000	F105
014440001	F105
015094009	F108

015094010	F108
015094011	F108
015094012	F108
015094017	F108
015094018	F108
015094021	F108
015094022	F109
015094023	F109
015094024	F109
015094026	F109
015094027	F109
015094031	F109
015094032	F109
015094036	F111
015094037	F109
015094039	F108
015094040	F108
015094043	F111
015094045	F110
015094046	F108
015094047	F112
015094048	F112
015094049	F112
015094050	F112
015094051	F112
015094052	F112
015094053	F112
015094054	F112
015094060	F110
015094061	F110
015094062	F110
015094064	F111
015094065	F110
015094070	F112
015094072	F111
015094073	F110
015094075	F112
015094076	F112

015094077	F112	041199003	F85
015094078	F112	041199004	F85
015094079	F112	041199005	F85
015094080	F111	041199006	F85
015094081	F111	041199007	F85
015094082	F111	041199807	F85
015094086	F110	042067000	F82
015094089	F111	042160000	F82
015094092	F110	042586000	F82
015094094	F111	043910203	F93
015094095	F112	044430001	F78
015094096	F111	045800000	F89
015094097	F112	048976000	F89
015094102	F111	049261000	F89
015094103	F111	049470001	F90
015094104	F111	049470002	F90
015094105	F110	049470003	F90
015094106	F110	049470004	F90
015094111	F110	049471001	F90
015094113	F110	049471002	F90
015094114	F110	049471003	F90
015094115	F110	049471004	F90
015094116	F108	049780000	F93
015094117	F108	049812000	F89
015382500	F84	049890001	F93
015382508	F84	049890003	F93
015382600	F84	049891000	F93
016411000	F89	050073000	F93
024811001	F82	050727000	F93
024811002	F82	051793001	F90
024811003	F82	051799000	F93
035588000	F93	051800000	F89
035589001	F83	051884001	F93
035589008	F83	051884002	F93
035589010	F83	051884003	F93
035589011	F83	052711000	F89
035589012	F83	056519002	F83
035589013	F83	056519003	F83
038105007	F93	056519004	F83
039135001	F105	056519005	F83
041199001	F85	056519010	F83
041199002	F85	056519011	F83

F

0 continued

PRODUCT	PAGE#
056519016	F83
058447000	F86, F87
059590001	F93
059599002	F93
059599003	F93
059709000	F78
059711000	F78
059713000	F78
059714000	F76
059716000	F76
059718000	F76
060039000	F86, F87
060040000	F88
060095001	F91
060095002	F91
060096001	F92
060096002	F92
060144000	F88
060146000	F88
060147000	F88
060236000	F89
060237000	F89
060238000	F89
060392001	F83
060393001	F83
060394001	F83
060394002	F83
060395001	F83
060395002	F83
060396001	F83
060396002	F83
060450022	F82
060450023	F82
060450026	F82
060450027	F82
060450028	F82
060450029	F82
060450030	F82
060799000	F89

060876000	F91
061194000	F81
061195000	F81
061334001	F91
061334002	F91
061335001	F92
061335002	F92
061336001	F92
061336002	F92
062701003	F78
062701004	F78
062701010	F78
062701012	F79
062701013	F79
062701014	F79
062701015	F79
062701016	F79
062702001	F79
062702002	F79
062702003	F79
062703010	F79
062705001	F75
062705002	F75
062705008	F75
062705010	F76
062705011	F76
062705012	F76
062705013	F76
062713003	F77
062713007	F77
062713009	F77
062713011	F77
062713013	F77
062891001	F56
062981002	F56
062981003	F56
062981004	F56
062981007	F56
062981010	F56
066386002	F86, F87
066386003	F87
066386005	F88

066386006	F88
066386008	F88
066386009	F88
066401002	F86, F87
066401003	F87
066401005	F88
066401006	F88
066417002	F87
066417003	F87
066417005	F88
066417006	F88
066417008	F88
066417009	F88
066430002	F87
066430003	F87
066430005	F88
066430006	F88
066430008	F88
066430009	F88
067872000	F77
067874000	F77
067876000	F77
070025004	F85
071338001	F48
071338002	F48
071338004	F48
071338005	F48
071338007	F48
071338008	F48
071338009	F48
071338010	F48
071338013	F48, F51
071656001	F49
071656002	F49
071921001	F104
071921002	F104
071921003	F104
071921004	F104
071921006	F104
072604000	F105
072994000	F49
072995002	F50

076248001	F105
078950000	F59
084404000	F73
094973001	F57
094973002	F57
094973003	F57
094973004	F57
094973005	F57
094973006	F57
094973007	F57
099049001	F104
099049002	F104
099049003	F104
099842002	F65
099842004	F65
099842005	F66
099842006	F66
099842007	F66
099842008	F66
099842009	F66
099842010	F66
099930001	F90
099930002	F90
099930003	F90

F

1	
PRODUCT	PAGE#
111657004	F102
111657006	F102
111657008	F102
111657009	F102
111657010	F102
111657011	F102
111657012	F102
111657013	F102
111657014	F102
111657015	F102
111657016	F102
111810001	F106
111810002	F106
111810003	F106
114088001	F106

1 continued

PRODUCT	PAGE#
114088002	F106
114088003	F106
114500001	F64
114500002	F64
114500003	F64
114880003	F64
114880005	F64
117122000	F64
123583440	F71, F72
123583550	F71, F72
123583660	F71, F72
123583665	F71, F72
123583770	F71, F72
123583990	F71, F72
123970001	F68
123970002	F68
123970003	F68
123970004	F68
123970005	F68
123970006	F68
123970007	F68
123970008	F68
123970009	F68
123970010	F68
123970011	F68
123970012	F68
123970013	F69
123970014	F69
123970015	F69
123970016	F69
123970017	F69
123970018	F69
123970019	F69
123970020	F69
123970021	F69
123970022	F69
123970023	F69
123970024	F69
125154005	F73

125254013	F73
125291001	F113
125291002	F113
125291003	F113
125291004	F113

4

PRODUCT	PAGE#
400033015	F105
400033020	F105
400033025	F105
400034000	F105
400135000	F59
400292000	F64
400431000	F59
400458001	F58
400458002	F58
400460001	F58
400460002	F58
400461001	F59
400461002	F59
400462001	F58
400462002	F58
400463001	F59
400463002	F59
400470002	F63
400820001	F60
400820002	F60
400820003	F60
400820004	F60
400820005	F61
400820006	F61
400820007	F61
400820008	F61
400820009	F61
400820010	F61
400820012	F61
400820014	F61
400820015	F62
400820019	F62
400820020	F62
400820021	F62

400820022	F62
400820023	F62
401079067	F114
401079068	F114
401079069	F114
401079071	F114
401079074	F114
401079083	F114
401079087	F114
401079090	F114
401079093	F114
401403001	F115
401403002	F115
401403003	F115
401403004	F115
401403005	F117
401403006	F117
401403007	F117
401403008	F117
401403013	F115
401403014	F115
401403015	F117
401403016	F117
401403019	F115
401403020	F117
401403025	F116
401403029	F116
401403030	F115
401403033	F116
401403034	F118
401403035	F116
401403038	F115
401403041	F116
401403043	F117
401403044	F116
401403055	F119
401403056	F116
401403057	F116
401403058	F115
401403059	F117
401403063	F115
401403066	F116

401403091	F116
401403092	F116
401403098	F116
401403201	F115
401403202	F117
401403203	F117
401403204	F118
401403205	F115
401403206	F116
401403207	F116
401403208	F116
401403209	F116
401403210	F118
401403211	F119
401403212	F117
401403213	F117
401403214	F118
401403215	F119
401403216	F118
401403217	F118
401403218	F119
401403219	F116
401403220	F119

F

5

PRODUCT	PAGE#
500155002	F58
500157001	F59
500157002	F59
500158001	F59
500187012	F54
500192012	F54
500198020	F105
500198025	F105
500229000	F54
500233000	F54
500247012	F54
500250012	F53, F54
58488-010	F67

9

PRODUCT	PAGE#
93530-001	F67

A

PRODUCT	PAGE#
---------	-------

AF M408512	F26
AF M501012	F26
AF M601212	F26
AF M8010	F96
AF M8021	F96
AF M8025	F96
AF M8026	F96
AF M8033	F96
AF M8034	F96
AF M8037	F96
AF M8047	F96
AFAP083	F9, F11
AFAP183	F9
AFAP184	F9
AFAP400	F9, F11
AFAP401	F9
AFAP414	F9, F11
AFAP415	F9
AFAP500	F9
AFAP501	F10
AFAP818	F10
AFAP819	F10
AFAP820	F10
AFAP919	F10
AFAP920	F10
AFC1000	F39
AFC1001	F39
AFC2000	F39
AFC2001	F39
AFCS021	F13, F15
AFCS031	F13, F15
AFCS051	F3, F13, F15
AFCS071	F3, F13, F15
AFCS081	F3, F13, F15
AFCS121	F3, F13, F15

AFCS181	F3, F13, F15
AFCS221	F3, F13, F15
AFCS251	F3, F14, F15
AFCS261	F3, F14, F15
AFCS311	F14, F15
AFCS351	F14, F15
AFCS431	F14, F15
AFHP111	F23
AFHP112	F23
AFHP21	F22
AFHP211	F23
AFHP212	F23
AFHP31	F22
AFHP41	F22
AFHP411	F23
AFHP412	F23
AFHP42	F22
AFHP81	F22
AFHP82	F22
AFHP83	F22
AFHP91	F22
AFHP92	F22
AFM82006	F101
AFSF12	F31, F32, F33
AFSF15	F31, F32, F33
AFSF18	F31, F32, F33
AFSF20	F31, F32, F33
AFSF21	F31, F32, F33
AFSF310	F31, F32, F33
AFSF350	F31, F32, F33
AFSF4	F31, F32, F33
AFSF430	F31, F32, F33
AFSF6	F31, F32, F33
AFSF8	F31, F32, F33
AFTFP2056	F95
AFTFP2062-1	F95
AFTRD1023	F95
AFTRD1460	F95
AFTRD1690	F95
AFTRD1946	F95
AFUP006	F6
AFUP006E	F6

AFUP007	F6
AFUP007E	F6
AFUP021	F6
AFUP021E	F6
AFUP041	F7
AFUP041E	F7
AFUP061	F7
AFUP061E	F7
AFUP091	F7
AFUP091E	F7
AFUP131	F7
AR2201	F17, F35
AR234401	F18, F36
AR246501	F17, F35
AR6060	F18, F36
AR6067	F18, F36
AR6122	F18, F36
AR6144	F18, F36
AR6154	F17, F35
AR6277	F17, F35
AR6321	F36
AR6322	F18
AR6324	F17, F35
AS2207	F19, F37
AS6121	F19, F37
AS6123	F19, F37
AS6159	F19, F37
AS6180	F19, F37
AS6182	F20,
AS6182	F20,
AS6220	F38
AS6221	F20, F38
AS6316	F20, F38
AS6320	F20, F38
AS6323	F20, F38

D

PRODUCT	PAGE#
DR-6	F100
DU-3	F100
DU-4	F100
DU-5	F100

E

PRODUCT	PAGE#
EACP61508	F41
EACP61511	F41
EACP61513	F41
EACP61515	F41
EACP61517	F41
EACP61519	F41
EACP61521	F41
EACP61523	F41
EAFF68110	F42, F43
EAFF68111	F42, F43
EAFF68120	F42, F43
EAFF68130	F42, F43
EAFF68132	F42, F43
EAFF68133	F42, F43
EAFF68140	F42, F43
EAFF68150	F42, F43
EAFF68160	F42, F43
EAFF68170	F42, F43
EAFF68175	F42, F43
EAFF68175-1	F42, F43
EAFF68178	F42, F43
EAFF68179	F42, F43
EAFF68182	F42, F43
EAFF68185	F42, F43
EAVLR68189-2	F44, F45
EAVLR68190	F44, F45
EAVLR68191	F44, F45
EAVLR68193	F44, F45
EAVLR68193-2	F44, F45
EAVLR68193S	F44, F45
EAVLR68193S2	F44, F45
EAVLR68194	F44, F45
EAVLR68195	F44, F45
EAVLR68195-1	F44, F45
EAVLR68195S1	F44, F45
EAVLR68196-3	F44, F45
EAVLR68197	F44, F45
EAVLR68197-2	F44, F45
EAVLR68197S	F44, F45

F

E continued

PRODUCT	PAGE#
EAVLR68197S2	F44, F45
EAVLR68198	F44, F45
EAVLR68198-1	F44, F45
EAVLR68199S	F44, F45

Z

PRODUCT	PAGE#
X-65	F100